



**İMAJ TEKNİK**  
ELEKTRİK ELEKTRONİK MALZ. SAN. VE TİC. LTD. ŞTİ

#### TECHNICAL SPECIFICATIONS

Conformity to Community Directives	2006/95/CE
Conformity to Standards	EN 60204-1 EN 60947-1 EN60947-5-1 EN 60529
Ambient temperature	Storage -40°C/+70°C Operational -25°C/+70°C
Protection degree	IP 65
Insulation category	Class I
Cable entry	Cable clamp M20
Operation frequency	3600 operations/hour max.
Markings	CE

#### TECHNICAL SPECIFICATIONS OF THE SWITCHES

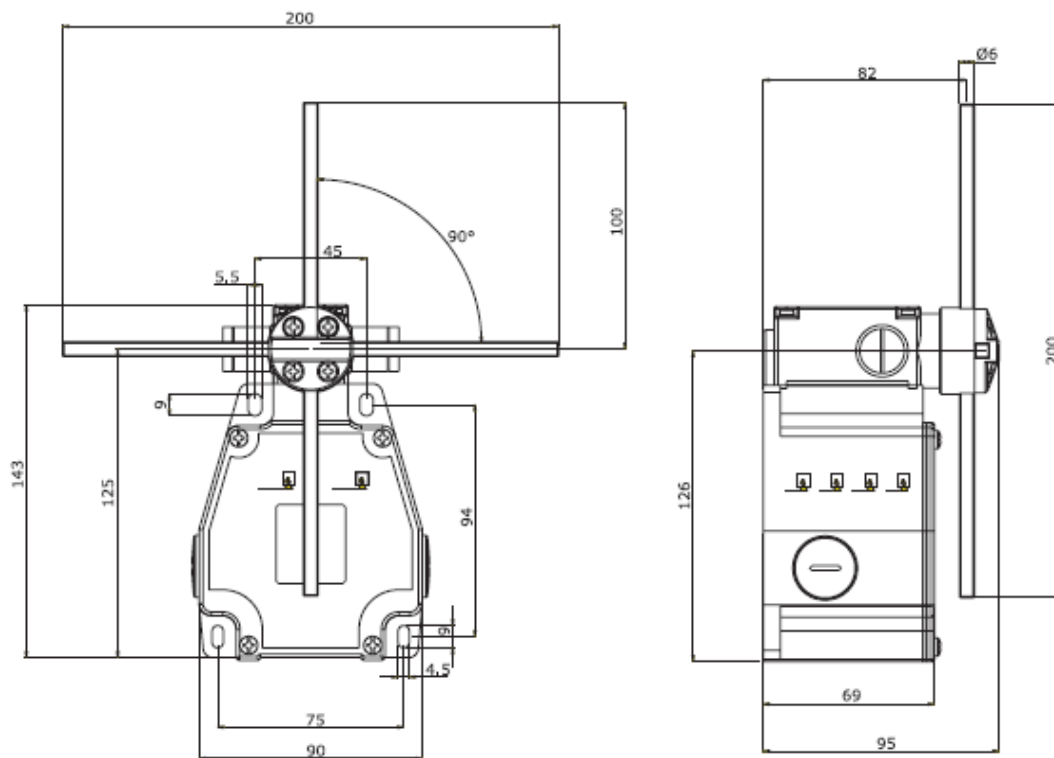
Utilisation category	AC 15
Rated operational current	3 A
Rated operational voltage	250 V
Rated thermal current	10 A
Rated insulation voltage	500 V~
Mechanical life	1x10 <sup>6</sup> operations
Terminal referencing	According to EN 50013
Connections	Screw-type terminals
Wires	1x2.5 mm <sup>2</sup> , 2x1.5 mm <sup>2</sup> (UL - (c)UL: use 60 or 75 °C copper (CU) conductor and wire size No. 16-18 AWG)
Tightening torque	0.8 Nm
Markings	CE - UL - (c)UL

#### STANDARD LIMIT SWITCH CODES

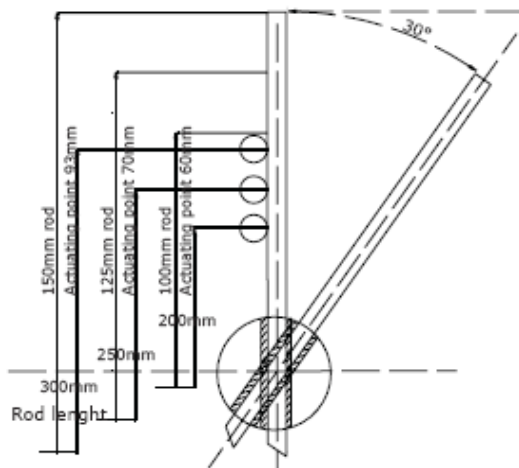
CODE	ACTUATING TRAVEL
PF26755100	1-2 180° 0° 70° 180° 3-4
	1-2 180° 0° 160° 3-4
	1-2 180° 70° 0° 180° 3-4
	1-2 160° 0° 180° 3-4
	1-2 70° 0° 90° 3-4
	1-2 70° 0° 90° 3-4
PF26755200	1-2 90° 0° 70° 3-4
	1-2 90° 0° 70° 3-4
	1-2 90° 0° 70° 3-4
	1-2 90° 0° 70° 3-4

The limit switches are equipped with 1NO+1NC switches PRSL0036XX.

## OVERALL DIMENSIONS



## MAXIMUM ACTUATING DIMENSIONS



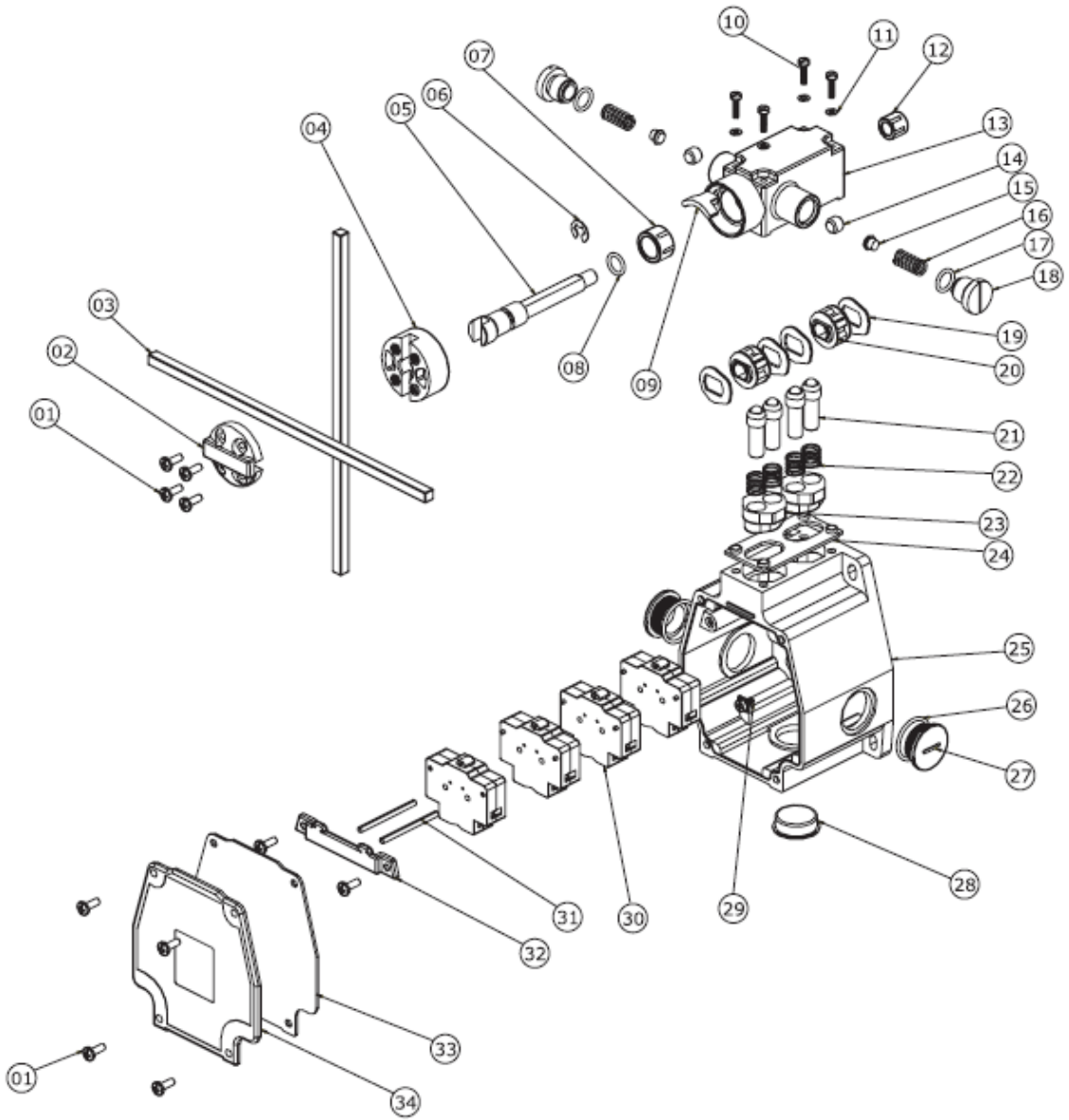
### Rods with 4 maintained positions

Pre-travel angle for rotation contact operation	49°
Maximum rotation angle for each maintained position	90°
Average angle for the mechanical tripping	48°
Maintained positions each	90°

In order to ensure proper operations, the dimensions shall not be increased; anyhow, they can be decreased, taking into account that the closer the impact point is to the center of the head, the higher the impact and the mechanical wear of rod and shaft are.

**IMPORTANT:** the maximum impact speed is 1.35 m/s, referring to the ideal impact points showed in the drawing.

DETAILED DRAWING



IM

## COMPONENTS

REFERENCE	CODE	DESCRIPTION
01	PRVI0176PE	Screw M4x10
02	PRFU2011PE	Cross support plate
03	PRTO3006PE	Rod 6x6x200 mm
04	PRFU2012PE	Cross support
05	PRTO2038PE	Shaft
06	PRVV999006	Elastic ring
07	PRCB1007PE	Large bush
08	PRGO980108	O-ring
09	PRSL7640PI	Stop sector
10	PRVI0070PE	Screw M3x12
11	PRRN0011PE	Washer
12	PRCB1002PE	Small bush
13	PRFU2017PE	Head
14	PRTO812487	Trip pin
15	PRSL9625PI	Pin pushing plug
16	PRMO962719	Spring
17	PRGO989037	O-ring
18	PRTO915515	Head plug
19	Ask for codes	Cam
20	PRSL7646PI	Four point cylinder for tripping
21	PRSL7645PI	Sphere holding piston
22	PRMO915529	Spring
23	PRSL9312PI	Piston holder support
24	PR989642	Head gasket
25	PRFU2016PE	Enclosure
26	PRGO980108	O-ring
27	PRPS0070PE	Threaded plug M20
28	PRSL000020	Plug
29	PRVI0162PE	Screw M3.5x7.5
30	PRSL0036XX	Snap action 1NO+1NC switch
31	PRVV984340	Elastic pin
32	PRSL9624PI	Bridge
33	PRGO989632	Cover gasket
34	PRFU2008PE	Cover

adresimiz  
değiřti

Emekyemez Mah.Yüksek Minare Sk. No:8 / 17  
80020 Karaköy / İstanbul  
Tel:212/2359535  
Fax:212/2359537