



NMB

SPECIFICATIONS

Load Cell for Electronic Scale

Load Cell
C2G1-6K~100K

SPEC.No.EN214022-A

1/3

● **Performanc**

Rated capacity	: 58.84 N {6 kgf}~980.7 N {100 kgf}
Safe overload	: 150 %R.C.
Ultimate overload	: 200 %R.C.
Rated output	: 2 mV/V±0.2 mV/V
Non-linearly	: 0.015 %R.O.
Hysteresis	: 0.015 %R.O.
Repeatability	: 0.02 %R.O.
Creep	: 0.02 %R.O./20 min
Creep recovery	: 0.02 %R.O./20 min

● **Electrical**

Excitation, recommended	: 12 V or less
Excitation, at maximum	: 20 V
Zero balance	: ±0.1 mV/V
Input resistance	: 420 Ω ⁺³⁰ / ₋₂₀ Ω
Output resistance	: 350 Ω ±5 Ω
Insulation resistance (between bridge and main body)	: 2 000 MΩ or more.(DC 50 V)

● **Temperature**

Temperature range, compensated	: -10 °C to 50 °C
Temperature range, safe	: -10 °C to 50 °C
Temperature effect on zero balance	: 0.04 %R.O./10 °C
Temperature effect on output	: 0.012 %LOAD/10 °C

● **Cable**

: φ 3.2, 4-cores shielded 40 cm cable directly attached, cable ends is separated.

● **Class of protection**

: Equivalent to IP40(Main body only.)

● **Material of element**

: Aluminium alloy

● **Durability**

: 10⁶ times with rated load applied.

● **Effect of eccentric load**

:

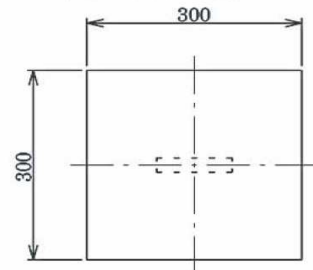
- Refer to the above figure as for the maximum size of loading plate.
- The center of loading plate and also the center of load cell should be the same position.
- Error is within 0.02 %R.O. applied with 1/2 of rated capacity at the position of 150 mm of eccentricity.

Note) R.O. means Rated Output and also R.C. means Rated Capacity.

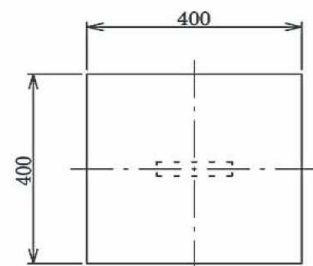
Polarity of output will become plus(+) when the direction of compression load is applied.

If polarity change is required, change wiring of blue and green.

Maximum size of loading plate
(C2G1-6K~35K)

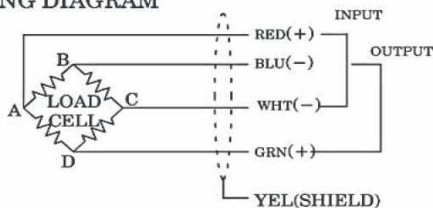


Maximum size of loading plate
(C2G1-45K~100K)



Unit : mm

WIRING DIAGRAM



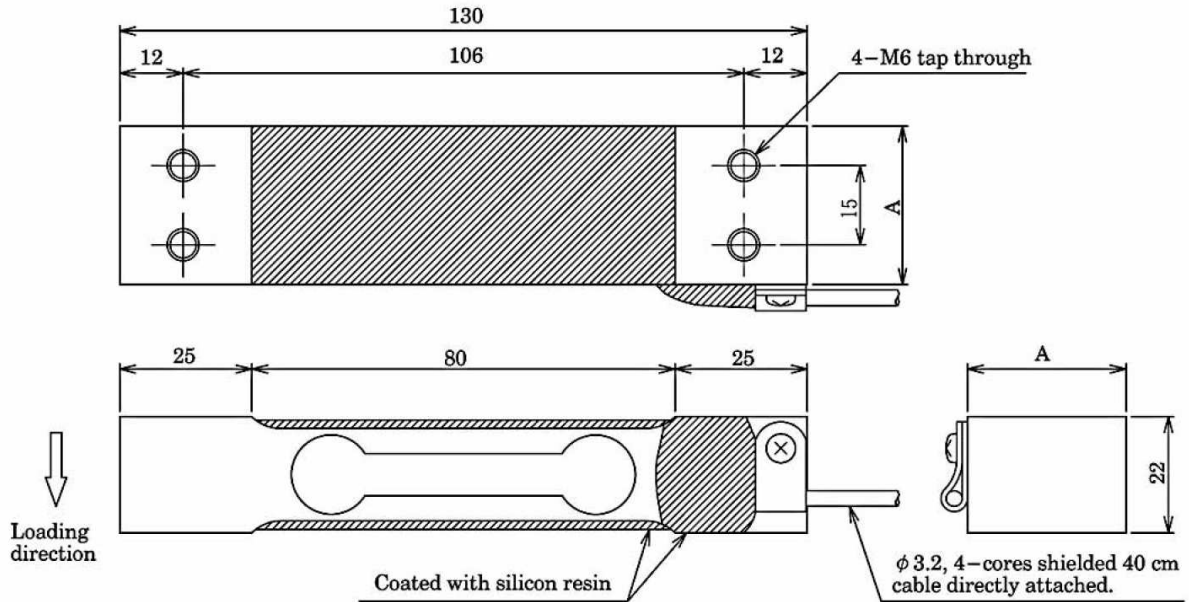
Composition	
Main body	1

SPECIFICATIONS

Load Cell
C2G1-6K~100K

SPEC.No.EN214022-A 2/3

C2G1-6K~35K



Unit : mm

OUTLINE DIMENSIONS

P/N	Rated capacity	A	Rated displacement	Natural frequency(Hz)	Weight (Approx.g)
C2G1-6K	58.84 N{6 kgf}	30	0.62	180	200
C2G1-10K	98.07 N{10 kgf}	30	0.56	240	200
C2G1-12K	117.7 N{12 kgf}	30	0.56	270	200
C2G1-15K	147.1 N{15 kgf}	30	0.56	300	200
C2G1-20K	196.1 N{20 kgf}	30	0.53	350	200
C2G1-25K	245.2 N{25 kgf}	40	0.52	330	260
C2G1-30K	294.2 N{30 kgf}	40	0.52	370	260
C2G1-35K	343.3 N{35 kgf}	40	0.52	400	260

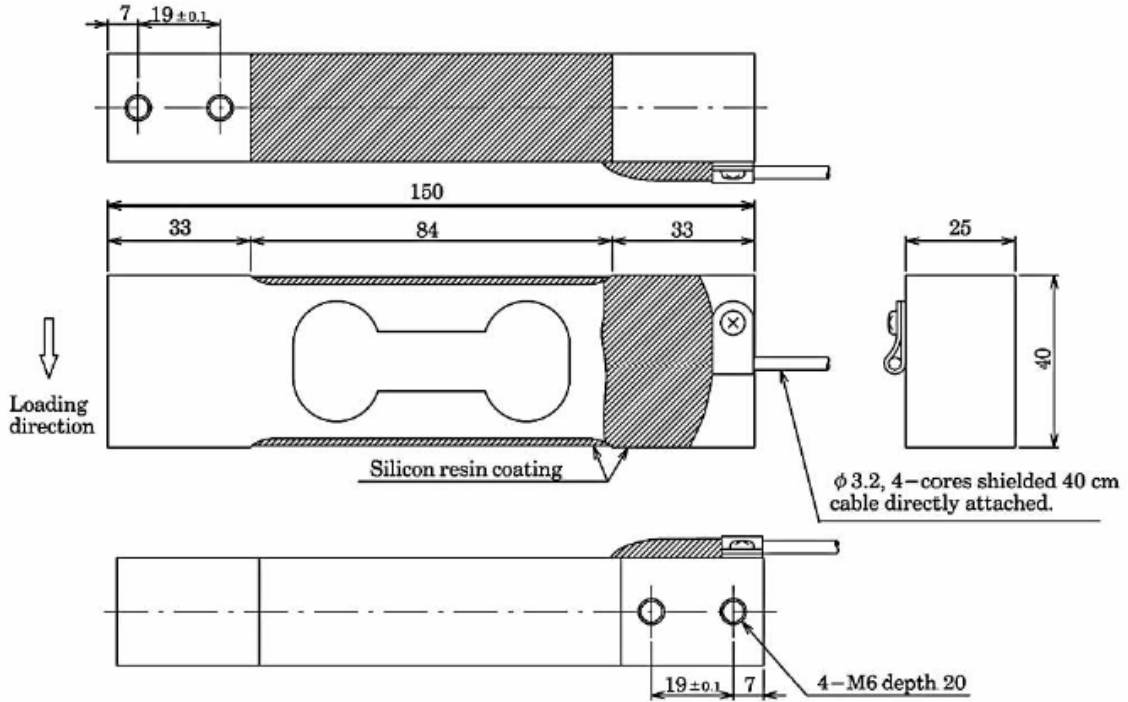
IMA

SPECIFICATIONS

Load Cell
C2G1-6K~100K

SPEC.No.EN214022-A 3/3

C2G1-45K~100K



Unit : mm

Table for P/No.

P/N	Rated capacity	Rated displacement	Natural frequency(Hz)	Weight (Approx.g)
C2G1-45K	441.3 N{45 kgf}	0.55	390	320
C2G1-60K	588.4 N{60 kgf}	0.56	320	320
C2G1-100K	980.7 N{100 kgf}	0.55	320	320

Specifications and outline dimensions and so on which have printed may subject to change for the purpose of improvement without notice.

İMAJ

İmaj Teknik Elektrik Elektronik San. ve Tic. Ltd. Şti.
 EMEKEMEZ MAH.TUTSAK SOK. NO: 16/13-14-15
 KARAKOY/İSTANBUL
 TURKEY

Telefon : +90 212 235 9535 / 36
 Fax : +90 212 235 9537

www.imajteknik.com
 www.imajteknik.com.tr