



**İMAJ TEKNİK**  
ELEKTRİK ELEKTRONİK MALZ. SAN. VE TİC. LTD. ŞTİ

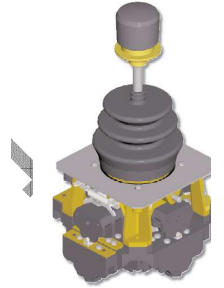
İMAJTEKNİK

# CK

**CK JOYSTICK**

## TECHNICAL SPECIFICATIONS

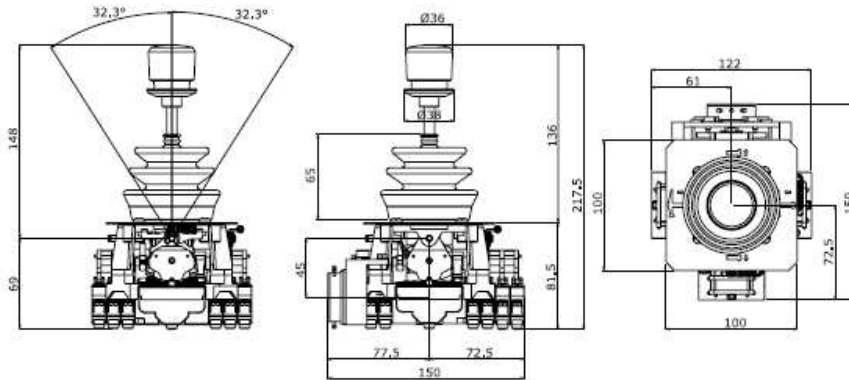
Conformity to Community Directives	2006/95/CE
Conformity to Standards	EN 60204-1 EN 60947-1 EN60947-5-1
Ambient temperature	Storage -40°C/+70°C Operational -25°C/+70°C
Protection degree	IP 00
Insulation category	Class I
Operating positions	Any position
Weight	0.9 kg
Markings	CE



## TECHNICAL SPECIFICATIONS OF THE SWITCHES

Utilisation category	AC 15
Rated operational current	1.9 A
Rated operational voltage	380 V
Rated thermal current	10 A
Rated insulation voltage	500 V~
Mechanical life	0.5x10 <sup>6</sup> operations
Terminal referencing	According to EN 50013
Connections	Screw-type terminals
Wires	1x2.5 mm <sup>2</sup> , 2x1.5 mm <sup>2</sup>
Tightening torque	0.8 Nm
Markings	CE

## OVERALL DIMENSIONS



## STANDARD JOYSTICK CODES

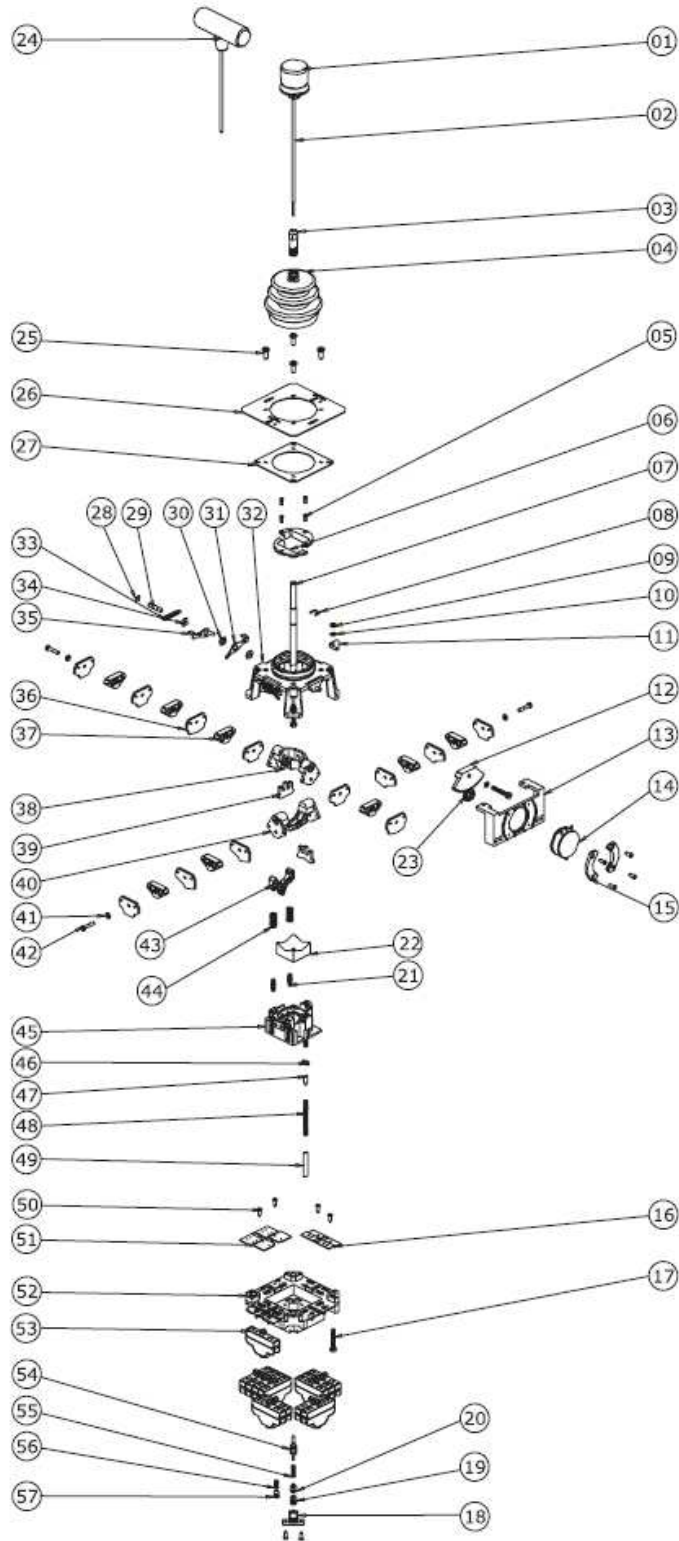
POSITIONS	LABEL	CODE
1-0	PRTA0151PE	PF08020378
2-0	PRTA0151PE	PF08020004
3-0	PRTA0151PE	PF08020003
3-1	PRTA0151PE	PF08010005
3-2	PRTA0151PE	PF08010016
3-3	PRTA0151PE	PF08010002
4-0	PRTA0151PE	PF08020076
4-1	PRTA0151PE	PF08010017
4-3	PRTA0151PE	PF08010039

POSITIONS	LABEL	CODE
5-0	PRTA0151PE	PF08020215
5-1	PRTA0151PE	PF08010007
5-3	PRTA0151PE	PF08010012
5-5	PRTA0151PE	PF08010003
1-1	PRTA0152PE	PF08010011
2-2	PRTA0152PE	PF08010013
3-3	PRTA0152PE	PF08010001
5-5	PRTA0152PE	PF08010004

Other versions available on request.

The data and the products illustrated in this brochure may be modified without notice. Under no circumstances can their description have a contractual value.

DETAILED DRAWING



CK JOYSTICK



## COMPONENTS

REFERENCE	CODE	DESCRIPTION
01	PRSL4502PI	Fixed round knob
01 (+02)	PRSL4504PI	Mobile round knob
02	PRTO0683PI	Safety rod
03	PRTO0676PE	Handle guide
04	PRGU6040PE	Gasket
05	PRVI0068PE	Screw M3x8
06	PRSL7745PI	Half-guide for lever 1-3/1-5 steps
	PRSL7746PI	Half-guide for lever 2-2 steps
	PRSL7747PI	Half-guide for lever 1-1 steps
	PRSL7748PI	Half-guide for lever 1-2 steps
	PRSL7749PI	Half-guide for lever 0-3/0-5 steps
	PRSL7750PI	Half-guide for lever 2-3/3-5 steps
	PRSL7751PI	Half-guide for lever 3-3/5-5 steps
	PRSL7752PI	Half-guide for lever - cross movement
	PRSL7830PI	Half-guide for lever 1-4 steps
	PRSL7831PI	Half-guide for lever 2-4 steps
	PRSL7832PI	Half-guide for lever 3-4 steps
	PRSL7833PI	Half-guide for lever 4-4 steps
	PRSL7834PI	Half-guide for lever 4-5 steps
	PRSL7835PI	Half-guide for lever 2-5 steps
07	PRTO0685PE	Control lever
08	PRRN1093PE	Elastic ring
09	PRDA0023PE	Nut
10	PRRN1012PE	Washer
11	PRSL9204PI	Shim for support for potentiometer
12	PRSL8600PI	Toothed sector
13	PRSL9205PI	Support for potentiometer
14	PRVV9020PE	Potentiometer 4.7 kΩ
	PRVV9025PE	Potentiometer 10 kΩ
	PRVV9035PE	Potentiometer 2.2 kΩ
15	PRSL9695PI	Closing plate
16	PRTR0210PE	Plate for 1 switch
17	PRVI0211PE	Screw M4x28
18	PRSL5775PI	Safety cover
19	PRVI0162PE	Screw M3,5x7,5
20	PRCN0021PE	Fixed contact
21	PRMO2205PE	Spring
22	PRSL7726PI	Spheric unit
23	PRSL6565PI	Pinion gear
24	PRSL4503PI	Fixed T-type knob
24 (+02)	PRSL4508PI	Mobile T-type knob
25	PRVI1020PE	Screw 5x11,5
26	PRTA0150PE	Blank label
	PRTA0151PE	Label with lifting-traverse symbols
	PRTA0152PE	Label with trolley-rotation symbols
27	PRGU1071PE	Gasket
28	PRRN1051PE	Elastic ring

The above products illustrated in this brochure may be modified without notice. These modifications can be found in the actual technical notes.

## COMPONENTS

REFERENCE	CODE	DESCRIPTION
29	PRT00721PE	Support pin
30	PRSL9677PI	Hexagonal washer
31	PRTR6065PE	Left spring return lever
32	PRFU8001PE	Base
32 (+03+07+29+38+40)	PRVV0001PE	Joystick set
33	PRMO2170PE	Spring
34	PRSL9676PI	Washer
35	PRTR6070PE	Right spring return lever
36	PRSL7210PI	Cam 1st of 3-5 steps
	PRSL7211PI	Cam 2nd-3rd of 3-5 steps
	PRSL7212PI	Cam 3rd of 3 steps
	PRSL7213PI	Cam 2nd of 5 steps
	PRSL7215PI	Cam 4th of 5 steps
	PRSL7216PI	Cam 5th of 5 steps
37	PRSL8596PI	Spacer
38	PRFU5001PE	Upper lever
39	PRSL7761PI	Sector - 3 fixed position
	PRSL7763PI	Sector - 5 fixed position
	PRT08000PE	Sector - 3 spring return position
	PRT08001PE	Sector - 5 spring return position
40	PRFU5005PE	Lower lever
41	PRRN0044PE	Washer
42	PRVI0200PE	Screw M4x18
43	PRSL4528PI	Spring return lever
44	PRMO2210PE	Spring
45	PRSL7727PI	Support for spheric unit
45 (+21+22+43+44+46+47+48+49)	PRSL4509PI	Complete spheric unit
46	PRT01006PE	Pin
47	PRSL7845PI	Pusher
48	PRMO2200PE	Spring
49	PRTU6001PE	Spring guide tube
50	PRVI0036PE	Screw 3,5x10
51	PRTR0211PE	Plate for 2 switches
52	PRSL6051PI	Base
53	PRSL0007XX	1NO switch
54	PRSL9215PI	Safety mobile contact holder
55	PRMO1011PE	Spring
56	PRMO2101PE	Spring
57	PRCN1001PE	Mobile contact

CK JOYSTICK

İMAM



adresimiz  
deđiřti

Emekyemez Mah. Yüksek Minare Sk. No:8 / 17  
80020 Karaköy / İstanbul  
Tel:212/2359535  
Fax:212/2359537