



İMAJ TEKNİK
ELEKTRİK ELEKTRONİK MALZ. SAN. VE TİC. LTD. ŞTİ



CHARLIE PENDANT CONTROL STATION

TECHNICAL SPECIFICATIONS

Conformity to Community Directives	2006/95/CE
Conformity to Standards	EN 60204-1 EN 60947-1 EN60947-5-1 EN 60529 EN 418
Ambient temperature	Storage -40°C/+70°C Operational -25°C/+70°C
Protection degree	IP 65
Insulation category	Class II
Cable entry	Cable clamp PG16
Operating positions	Any position
Weight	~ 320 g
Markings	CE

TECHNICAL SPECIFICATIONS OF THE SWITCHES

Utilisation category	AC 15
Rated operational current	3 A
Rated operational voltage	250 V
Rated thermal current	10 A
Rated insulation voltage	500 V~
Mechanical life	0,5x10 ⁶ operations
Terminal referencing	According to EN 50013
Connections	Screw-type terminals
Markings	CE - UL - (c)UL

FEATURES OF THE SWITCHES

The single switches PRSL1000PI and PRSL1001PI have 1 NO or 1 NC contact with 2 connecting terminals.

The double switch PRSL1002PI (1 speed) has:

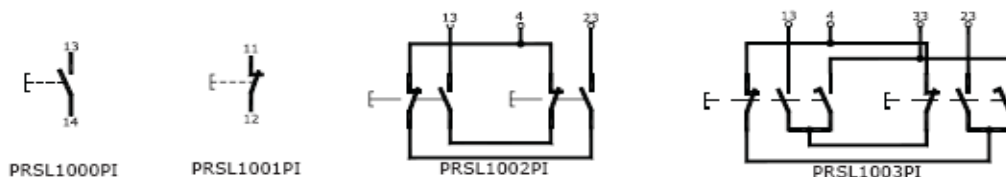
1 NO contact with 1 connecting terminal for each opposite function - 1 single terminal for both functions - electric interlock.

The double switch PRSL1003PI (2 speeds) has:

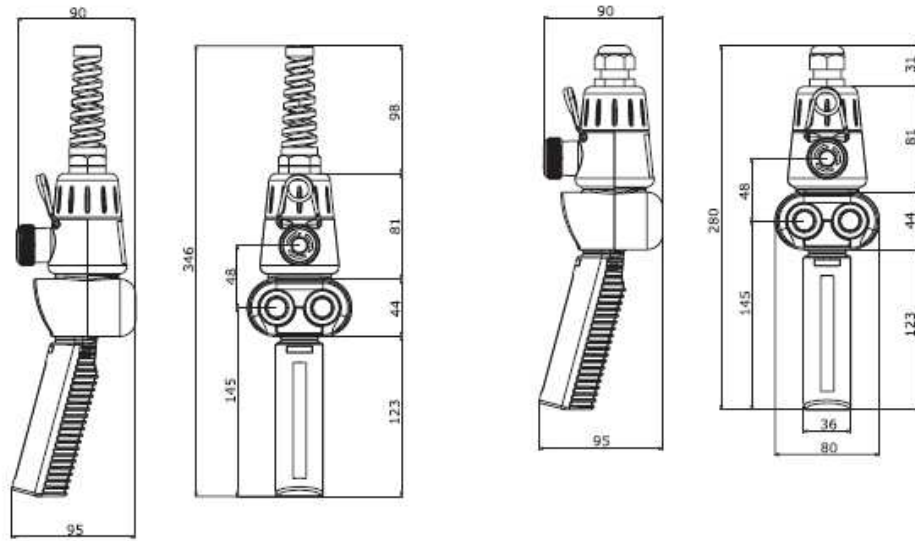
1 NO contact with 1 connecting terminal for the first speed for each opposite function - 1 NO contact with 1 connecting terminal for the second speed for both functions - 1 single terminal for both functions - electrical interlock.

All nc contacts are of the positive opening operation type.

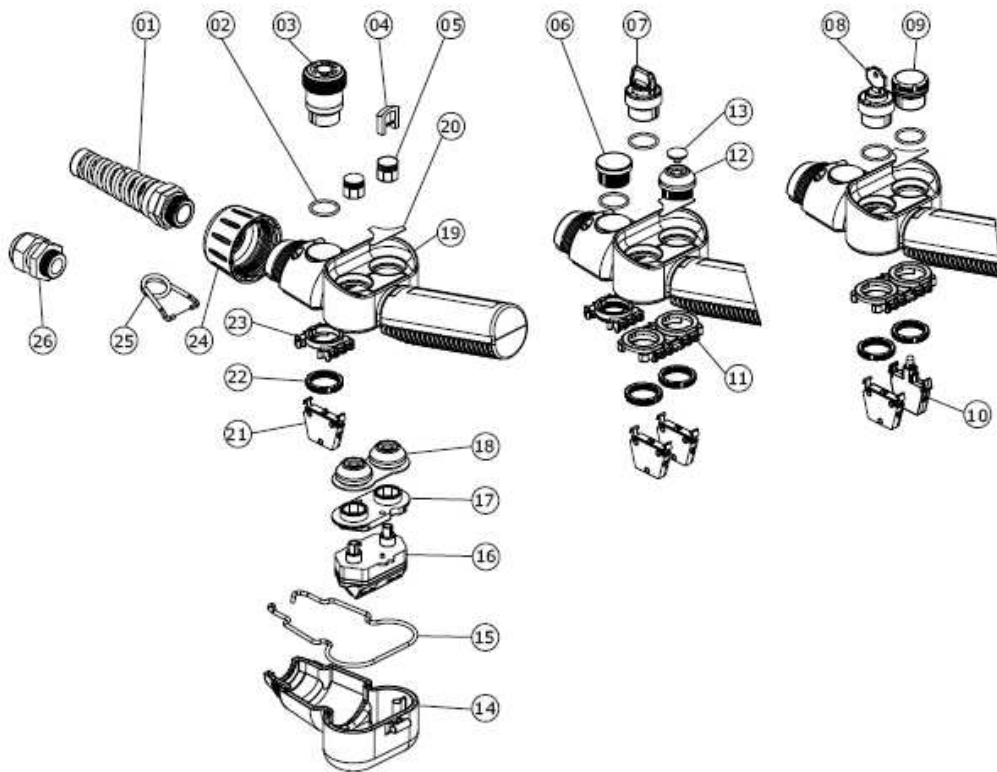
The switches have the following reference for internal wiring



OVERALL DIMENSIONS



DETAILED DRAWING



CHARLIE PENDANT CONTROL STATION





COMPONENTS

REFERENCE	CODE	DESCRIPTION
01	PRPS0025PE	Spiral cable clamp PG16
02	PRGU0056PE	O Ring
03 (+02+22)	PRSL1009PI	Emergency stop mushroom pushbutton
04	PRSL7776PI	Grip plug
05	PRSL9552PI	Button for double pushbutton
06 (+02)	PRSL1023PI	Blanking plug
07	PRSL1015PI	Spring return selector switch (on-Off)
	PRSL1016PI	Selector switch (on-off)
	PRSL1026PI	Spring return 3 position selector switch
	PRSL1027PI	3 position selector switch
08	PRSL1017PI	Key selector switch (on-off)
	PRSL1024PI	Spring return key selector switch
09	PRSL1012PI	Red pilot light
	PRSL1013PI	Yellow pilot light
	PRSL1014PI	Green pilot light
10	PRSL1004PI	Lamp holder
11	PRSL8735PI	Holding plate for 2+2 switches
12	PRSL1010PI	Single pushbutton (without button)
13	PRSL9551PI	Button for single pushbutton
14 (+15)	PRSL5518PT	Enclosure
15	PRGU0045PE	Gasket
16	PRSL1002PI	1 speed double switch
	PRSL1003PI	2 speed double switch
17	PRSL8737PI	Holding plate for rubber
18	PRGO0020PE	Rubber for double pushbutton
19	PRSL5008PI	Cover
20	PRETXXXXXX	Label
21	PRSL1000PI	1 NO switch
	PRSL1001PI	1 NC switch
22	PRSL9184PI	Ring
23	PRSL8739PI	Holding plate for 3 switches
24	PRSL5517PI	Closing ring for spiral cable clamp
	PRSL5524PI	Closing ring for cable clamp
25	PRGA0015PE	Hook
26	PRPS0064PE	Cable clamp PG16

STANDARD PENDANT CONTROL STATIONS

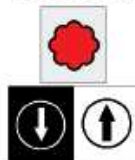
PF39020001



PF39020002



PF39030001



PF39030002



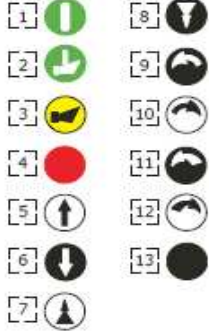
Legend



PRSL1009PI Emergency stop mushroom pushbutton

REQUEST FORM FOR NON STANDARD PENDANT STATIONS

SYMBOLS AND CONTROL ELEMENTS



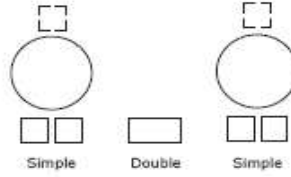
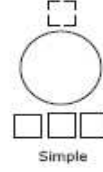
- 14] PRSL1009PI Mushroom pushbutton
15] PRSL1012PI Red pilot light
16] PRSL1013PI Yellow pilot light
17] PRSL1014PI Green pilot light
18] PRSL1015PI Spring return selector sw. (on-off)
19] PRSL1016PI Selector switch (on-off)
20] PRSL1017PI Key selector switch (on-off)
21] PRSL1023PI Blanking plug
22] PRSL1024PI Spring return key selector switch
23] PRSL1026PI Spring return 3 posit. selector switch
24] PRSL1027PI 3 position selector switch

SINGLE SWITCHES

- 1] PRSL1000PI 1 NO
2] PRSL1001PI 1 NC
3] PRSL1004PI Lamp holder

DOUBLE SWITCHES

- 1] PRSL1002PI 1 speed
2] PRSL1003PI 2 speeds



INSTRUCTIONS

- Write the number corresponding to the **control element** required (broken line box). When buttons are required, write the number corresponding to the **symbol** required and mark the direction of the arrow into the corresponding circle. Personalised symbols and letterings can be requested under Remarks.
- Selector switches PRSL1026PI and PRSL1027PI can be assembled only in the central position.
- Write the number corresponding to the single or double **switches**.
- Mark the appropriate box to show whether the **spiral cable clamp** or the **cable clamp PG16** is required..

REMARKS



Emekyemez Mah. Yüksek Minare Sk. No:8 / 17
80020 Karaköy / İstanbul
Tel:212/2359535
Fax:212/2359537

CHARLIE PENDANT CONTROL STATION

