

## EGR



- MCU( Microprocessor Control Unit ) Based Compact Design
- Ground (Earth)Fault Protection with ZCT
- Trip & Run Indication LED
- Manual/Electrical Reset

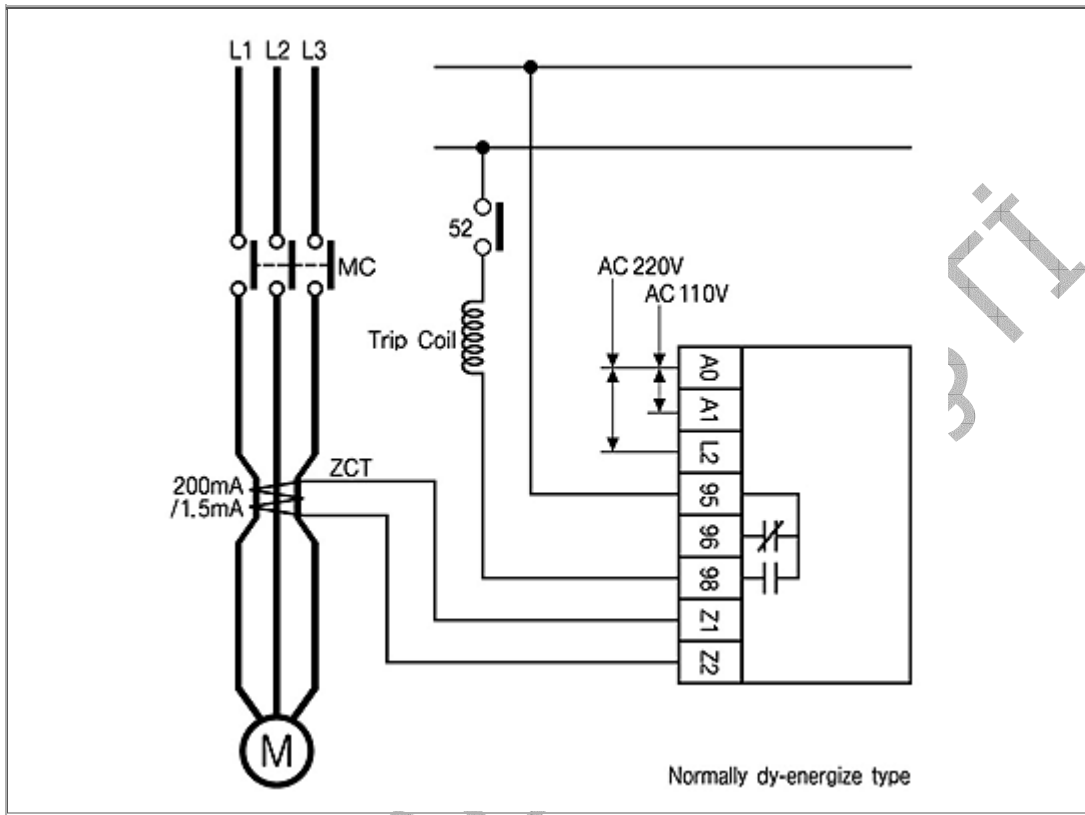
### Protection

| Protective Item | Trip Time     |
|-----------------|---------------|
| Ground Fault    | 0.2 ~ 2.0 sec |

### Specification

|                                     |             |  |
|-------------------------------------|-------------|--|
| Ground Fault(GF)<br>Current Setting | Type        | Range  |
|                                     | 05          | 50 ~ 500mA   |
|                                     | 10          | 100 ~ 1000mA   |
|                                     | 20          | 200 ~ 2.500mA  |
| Trip Time Setting                   | O-TIME      | 0.2 ~ 2.0 sec  |
| Reset                               |             | Manual/Electrical<br>(Push RESET Button or Interrupt Supply Power) |
| Power Supply                        |             | 110/220VAC, 50/60HZ  |
| Output Relay                        | Mode/Rating | 1-SPDT(1C), 3A/250VAC, Resistive                                   |
|                                     | Status      | Normally De-energized  |

➔ Typical Wiring



İMAJTEKNIK



İmaj Teknik Elektrik Elektronik San. ve Tic. Ltd. Şti.

EMEYEMEZ MAH.TUTSAK SOK. NO: 16/13-14-15  
KARAKOY/İSTANBUL  
TURKEY

Telefon : +90 212 235 9535 / 36  
Fax : +90 212 235 9537

www.imajteknik.com  
www.imajteknik.com.tr