



## ELR



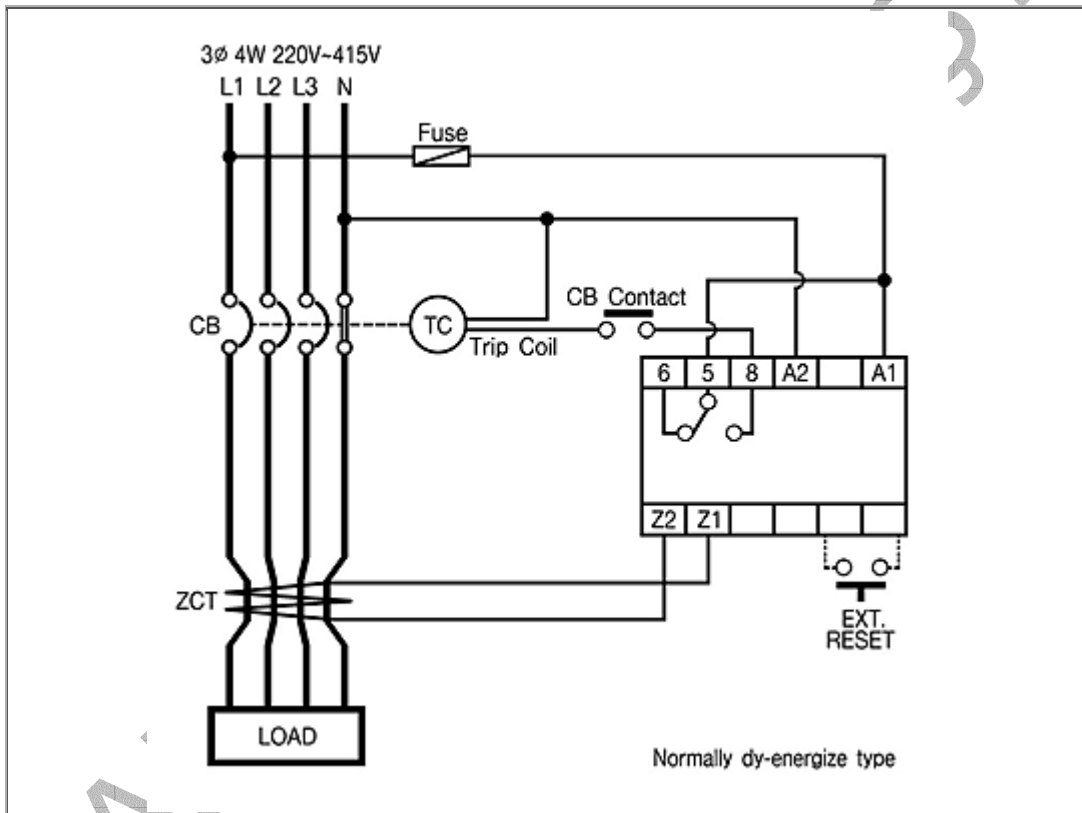
- MCU( Microprocessor Control Unit ) Based Compact Design
- Ground (Earth)Fault Protection for Motor and Power Distribution Systems
- Zero Phase Current Detection Method
- Test Button Provides a Manual Self-testing Function
- Independently Adjustable Ground (Earth) Current and Trip (Operating) Delay Time
- Built-in Power Indication LED and Trip Indication LED

### Specification

Current Setting	0.03~3A(0.03, 0.07, 0.1, 0.3, 0.5, 1, 1.5, 2, 2.5 and 3A Tap)	
Time Setting	0.2~2.0sec(0.2, 0.4, 0.6, 0.8, 1.0, 1.2, 1.4, 1.6, 1.8 and 2.0sec Tap)	
Operating Characteristic	Definite Time	
Current Sensing	ZCT(Zero Phase Current Detection)	
Control Voltage	240VAC $\pm$ 10%	
Frequency	50/60Hz	
Current Tolerance	$\pm$ 5%	
Time Tolerance	$\pm$ 5%	
Output Contact	5A/250VAC Resistive	
	1-SPDT/Normally De-energized	
Rated Insulation Voltage	600VAC, 50/60Hz	
Expected Mechanical Life	10,000,000 Operation	
Expected Electrical Life	100,000 Operation	
Ambient Temperature	-20 ~ 60 °C	
Ambient Humidity	10~85% without Condensation	
Dielectric Strength	Casing-Circuit	2kV, 50/60Hz, 1min
	Contact-Contact	1kV, 50/60Hz, 1min

	Circuit-Circuit	2kV, 50/60Hz, 1min
Electrostatic Discharge	IEC61000-4-2 Level-3	
EFT/Burst	IEC61000-4-4 Level-3	
Surge	IEC61000-4-5 Level-3	
Voltage Dip & Interruption	IEC61000-4-11	
Mounting	Flush Mount(Panel Door Mount)	

➔ Typical Wiring



İmaj Teknik Elektrik Elektronik San. ve Tic. Ltd. Şti.

EMEKYEMEZ MAH.TUTSAK SOK. NO: 16/13-14-15  
KARAKOY/İSTANBUL  
TURKEY

Telefon : +90 212 235 9535 / 36  
Fax : +90 212 235 9537

www.ijajteknik.com  
www.ijajteknik.com.tr