

**İMAJ TEKNİK**  
ELEKTRİK ELEKTRONİK MALZ. SAN. VE TİC. LTD. ŞTİ

## EOCR-3DZ/FDZ

### EOCR-3DZ



- Compact Design
- MCU( Microprocessor Control Unit ) Based
- ASIC(Application Specific Integrated Circuit)Inside
- Three Integral Current Transformers
- Overcurrent/Phase Loss/Phase Reversal/Phase Unbalance/Locked Rotor/Ground Fault
- Digital Ammeter
- Troubleshooting/Trip Cause Memory, Display
- Adjustable Operating Features by DIP switch Setting
- Wide Current Adjustment Range
- Selectable Time-Current Characteristics(Inverse/Definite)
- Manual(Instantaneous)/Electrical(Remote)Reset
- Test Function
- Ambient Insensitive
- Selectable Fail-safe and Non-fail-safe Operation Modes

### EOCR-FDZ



### Protection

Protective Item	Trip Time
Over-current	DEF : 0.3 ~ 25sec, INV : 1~30
Phase Loss	within 4sec
Phase Unbalance	8sec
Phase Reversal	0.1 sec
Locked Rotor	DEF : within 0.5sec after dt INV : If D-Time=0sec Operating according to Cold-curve If D-Time=Over 0sec Operating according to Hot-curve after D-time set
Ground Fault	1 or 0.03sec

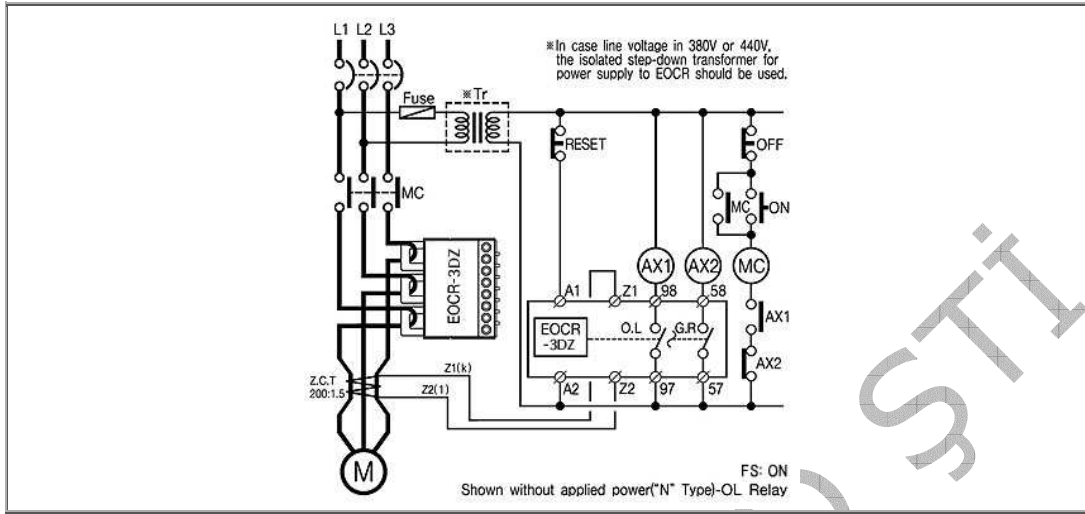
Specification

over Current Setting	Type	Setting Range	
	05	0.5 – 6A	
	60	5 – 60A	
	100	10 – 120A	with External CTs
	150	15 – 180A	
	200	20 – 240A	
	300	30 – 360A	
	400	40 – 480A	
	500	50 – 600A	
	600	60 – 720A	
Ground Fault Current Setting		A	
		B	0.2~10A
Start Delay Time Setting(D-TIME)	SW3-INV/On	0~120sec	
	SW3-DEF/Off	1~120sec	
Trip Delay Time Setting (O-TIME)	SW3-INV/On	1-30	
	SW3-DEF/Off	0.3-25sec	
Conrol Voltage		85-250VAC/DC	
Output Relay	O.L	1-SPST(1b), 3A/250VAC Resistive	
	G.R	1-SPST(1a), 3A/250VAC Resistive	
Time Characteristic	SW3-INV/On	Inverse	
	SW3-DEF/Off	Definite	
Trobleshooting/Trip Indication		LED Display	
Current Sensing		3-CT	
Mounting		35mm DIN-Rail/Panel	

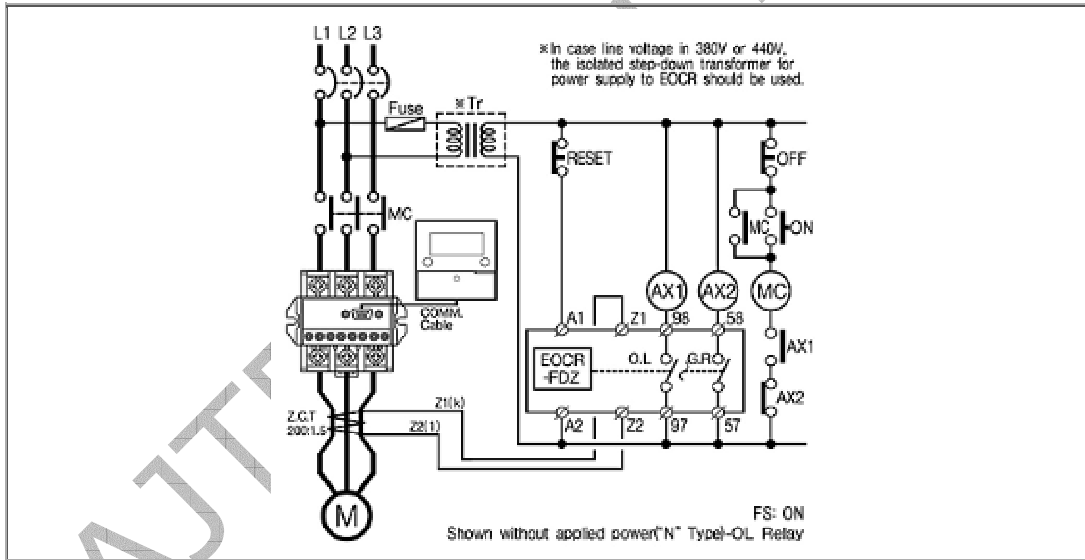
IMA

Typical Wiring

EOCR-3DZ



EOCR-FDZ



Download



İmaj Teknik Elektrik Elektronik San. ve Tic. Ltd. Şti.

EMEKYEMEZ MAH.TUTSAK SOK. NO: 16/13-14-15

KARAKOY/İSTANBUL  
TURKEY

Telefon : +90 212 235 9535 / 36  
Fax : +90 212 235 9537

www.imajteknik.com  
www.imajteknik.com.tr