



EOCR-3M420/FM420

EOCR-3M420



EOCR-FM420



- Compact Design
- 3M420:Panel Mounting Type
- FM420:Panel Flush Mounting Type
- MCU(Microprocessor Control Unit)&ASIC Based
- Three Integral Current Transformers
- Over current/Under current/Phase Loss/Phase Reversal/Phase Unbalance/Locked Rotor
- Digital Ammeter
- Troubleshooting/Trip Cause Memory, Display
- Adjustable Operating Features by Pulse Rotary switch
- Wide Current Adjustment Range
- Selectable Time-Current Characteristics(Inverse/Definite)
- Manual Instantaneous/Electrical Remote Reset
- Built in 4~20mA Current signal Transducer
- Ambient Insensitive
- Selectable Fail-safe and Non-fail-safe Operation Modes

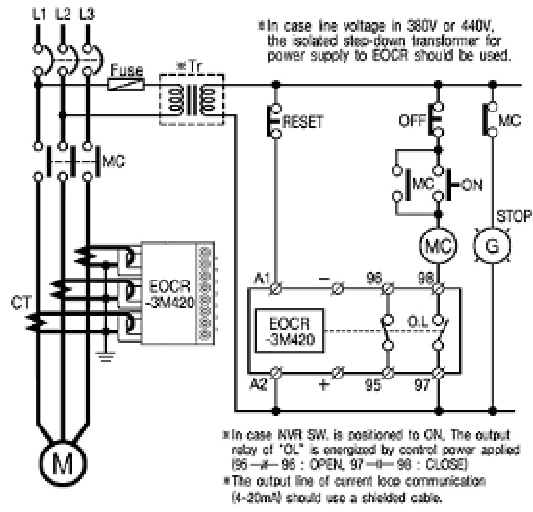
Protection

Protective Item		Trip Time
Over-current		DEF:0.2~30sec, INV:1~30
Undercurrent		0.5~30sec(DEF)
Phase Unbalance		0.1sec
Phase Reversal		8sec
Locked Rotor	Lock	0.5sec after dt
	stall	1~10sec

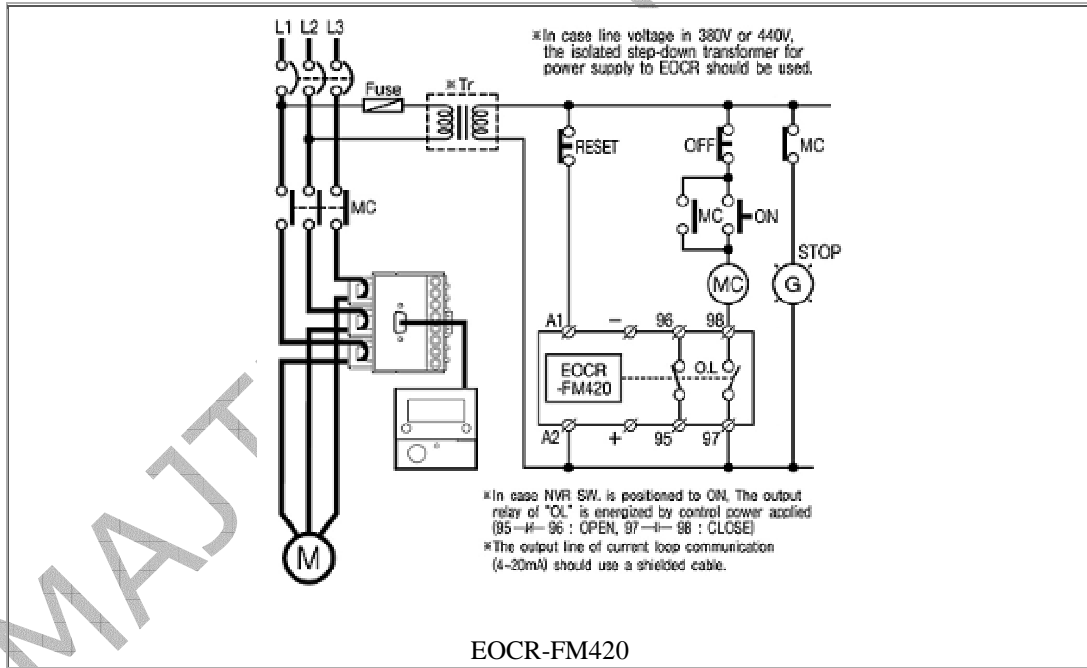
Specification

Model		3M420/FM420	
Current Setting Range	Over-Current(oc)	0.1~800A(over 60A with External CTs)	
	Under-Current(uc)	0.5~under OC setting	
Time Setting	Starting Delay Time(dt)	OFF~200sec	
	Over-Current Trip (ot)	DEF:0.2~30sec/INV:1~30	
	Under-Current Trip (ut)	0.5~30sec(DEF)	
Control Power	220	85~250VAC/DC, 50/60Hz	
Output Relay	OL	2-SPST, 3A/250VAC, Resistive	
	Signal current	4~20mA	
Environment	Temperature	Store	-30 ~ 80 °C
		Operation	-30 ~ 60 °C
	Humidity	30~85%RH, Non-condensation	
Display	7-Segment LEDs	3 Phase current, 3 Trip causes, Run time	
	Bar-Graph	% of existing Current vs OC setting current	
Mounting		35mm DIN-Rail	

Typical Wiring



EOCR-3M420



EOCR-FM420



İmaj Teknik Elektrik Elektronik San. ve Tic. Ltd. Şti.

EMEKYEMEZ MAH.TUTSAK SOK. NO: 16/13-14-15
KARAKOY/İSTANBUL
TURKEY

Telefon : +90 212 235 9535 / 36
Fax : +90 212 235 9537

www.imajteknik.com
www.imajteknik.com.tr