

EOCR-3MZ/FMZ

EOCR-3MZ



EOCR-FMZ



- Compact Design
- 3MZ:Panel Mounting Type
- FMZ:Panel Flush Mounting Type
- MCU(Microprocessor Control Unit)&ASIC Based
- Three Integral Current Transformers
- Over current/Under current/Phase Loss/Phase Reversal/Phase Unbalance/Locked Rotor/Ground Fault
- Digital Ammeter
- Troubleshooting/Trip Cause Memory, Display
- Adjustable Operating Features by Pulse Rotary switch
- Wide Current Adjustment Range
- Selectable Time-Current Characteristics(Inverse/Definite)
- Manual Instantaneous/Electrical Remote Reset
- Precise Ground Fault protection
- Ambient Insensitive
- Selectable Fail-safe and Non-fail-safe Operation Modes

Protection

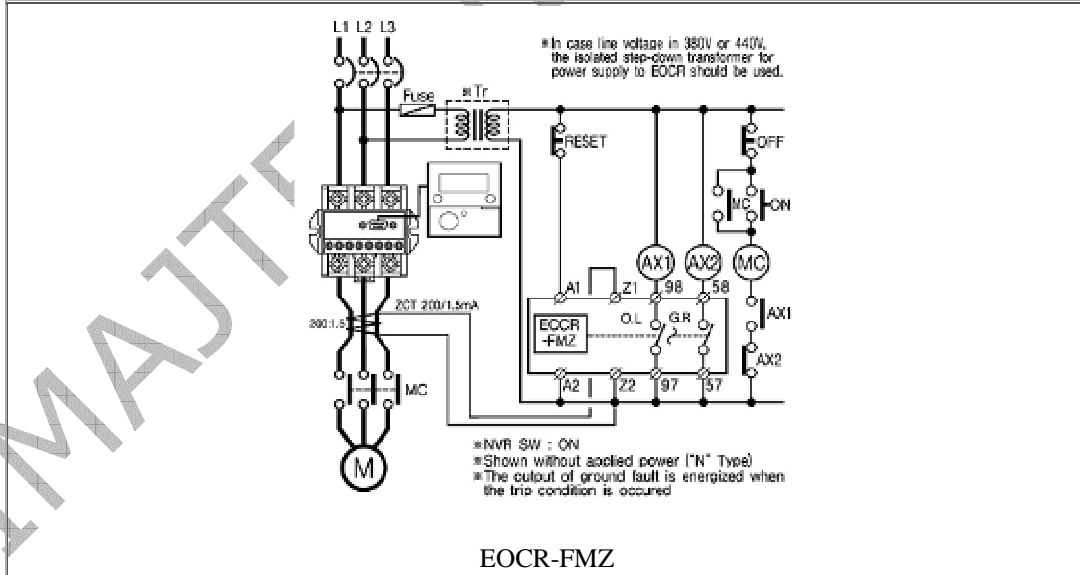
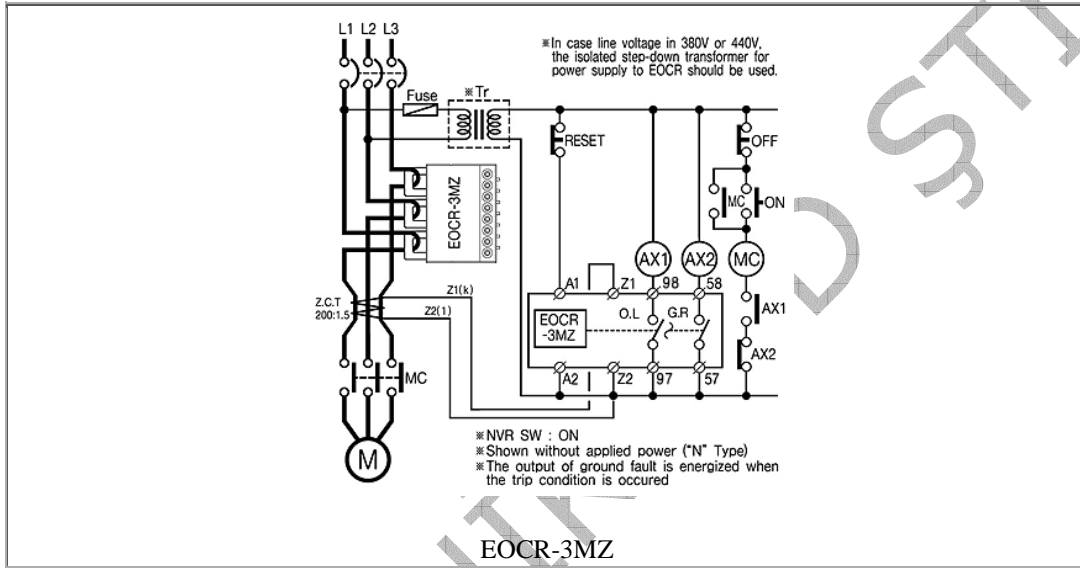
Protective Item	Trip Time	
Over-current	DEF:0.2~30sec, INV:1~30	
Undercurrent	0.5~30sec(DEF)	
Phase loss	within 3sec	
Phase Unbalance	0.1sec	
Phase Reversal	8sec	
Locked Rotor	Lock	0.5sec after dt
	stall	1~10sec

Specification

Model		3MZ/FMZ
Current Setting Range	Over-Current(oc)	0.1~800A(Over 60A with External CTs)
	Under-Current(uc)	0.5~under OC setting
	Ground Fault Current(Ec)	A:0.03~2.5A/B:0.5~10A
Time Setting	Starting Delay Time(dt)	OFF~200sec
	Over-Current Trip (ot)	DEF:0.2~30sec/INV:1~30
	Under-Current Trip (ut)	0.5~30sec(DEF)
	Ground Fault Trip Delay(Et)	0.1~10sec
Control Power	220	85~250VAC/DC, 50/60Hz
Output Relay	O.L	1-SPST,3A/250VAC, Resistive

	G.R		1-SPST,3A/250VAC, Resistive
Environment	Temperature	Store	-30 ~80 °C
		Operation	-30 ~60 °C
	Humidity		30~85RH, Non-condensation
Display	7-Segment LEDs		3 phase current, 3 Trip cause, Run time
	Bar-Graph		% of existing Current vs OC setting current
Mounting			35mm DIN-Rail

➔ Typical Wiring



İmaj Teknik Elektrik Elektronik San. ve Tic. Ltd. Şti.

EMEKYEMEZ MAH.TUTSAK SOK. NO: 16/13-14-15

KARAKOY/İSTANBUL
TURKEY

Telefon : +90 212 235 9535 / 36
Fax : +90 212 235 9537

www.imajteknik.com
www.imajteknik.com.tr