

EOCR-SP

>> On-line order



- Compact Design
- Multiple Protection Functions
- Wide Current Adjustment Range(10:1)
- Ammeter Function
- Trip Indication LED
- High Accuracy
- Manual Instantaneous Reset
- Electrical Remote Reset
- Test Function
- Ambient Insensitive
- Low Energy Consumption
- Fail-safe Operation(No Volt Release)
- 2 Integral CTs
- Fit Directly into IEC or NEMA Contactor

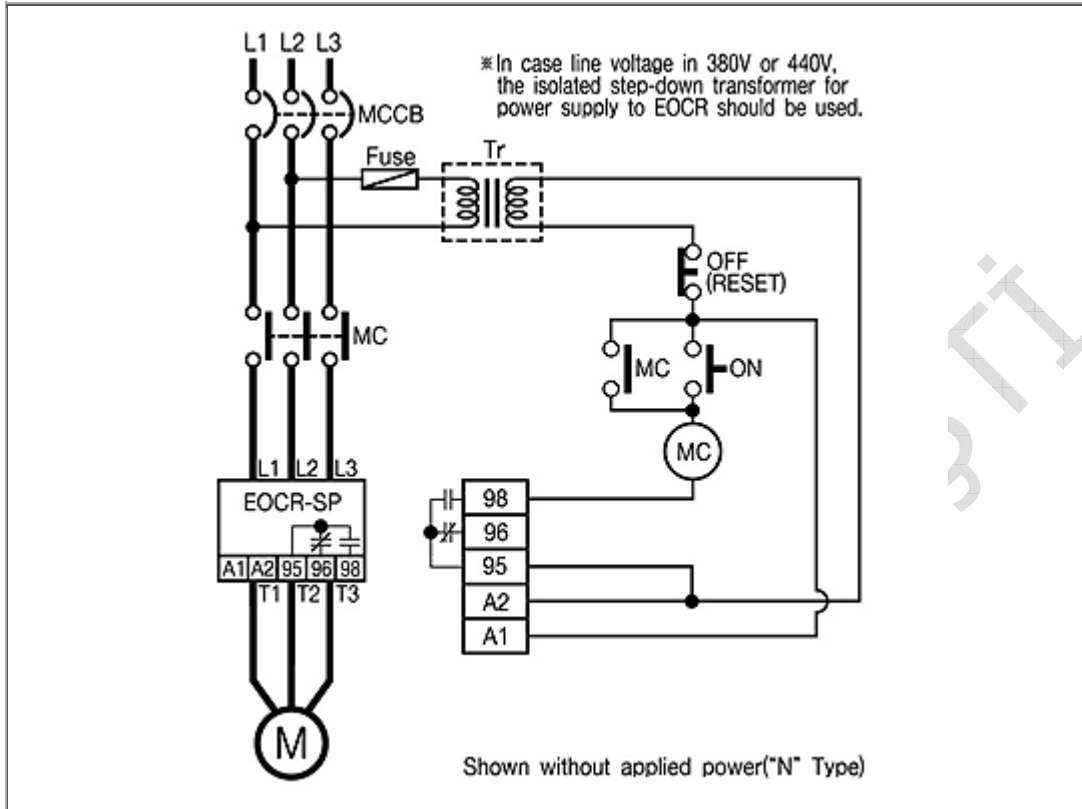
→ Protection

Protective Item	Operating(Trip) Time
Over-current	O-TIME
Phase Loss	O-TIME
Locked Rotor	O-TIME

→ Specification

Current Setting	Type	Range
	01	0.3 ~ 1.2A
	10	1 ~ 12A
	20	5~25A
Trip Time Setting	O-TIME	0.5 ~ 15sec
Control Voltage	220	90~260VAC
	440	320 ~ 480VAC
Output Relay	Mode	1-SPDT(1C)
	Rating	3A / 250VAC Resistive
	Status	Normally Energized With Power
Time-Current Characteristic		Definite
Operating(Trip) Indication		2-LED

Typical Wiring



İmaj Teknik Elektrik Elektronik San. ve Tic. Ltd. Şti.

EMEKYEMEZ MAH.TUTSAK SOK. NO: 16/13-14-15
KARAKOY/İSTANBUL
TURKEY

Telefon : +90 212 235 9535 / 36
Fax : +90 212 235 9537

www.imajteknik.com
www.imajteknik.com.tr