

EOCR-SP1/SP2

>> On-line order

EOCR-SP1



EOCR-SP2



- MCU(Microprocessor Control Unit) Based
- Compact Design
- Multiple Protection Functions
- Wide Current Adjustment Range(10:1)
- Ammeter Function & Trip Indication
- Easy Troubleshooting & Run Monitor
- Manual Instantaneous/ Electrical Remote Reset
- Test Function
- Ambient Insensitive
- Fail-safe Operation
- 2 Integral CTs
- Fit Directly into IEC or NEMA Contactor

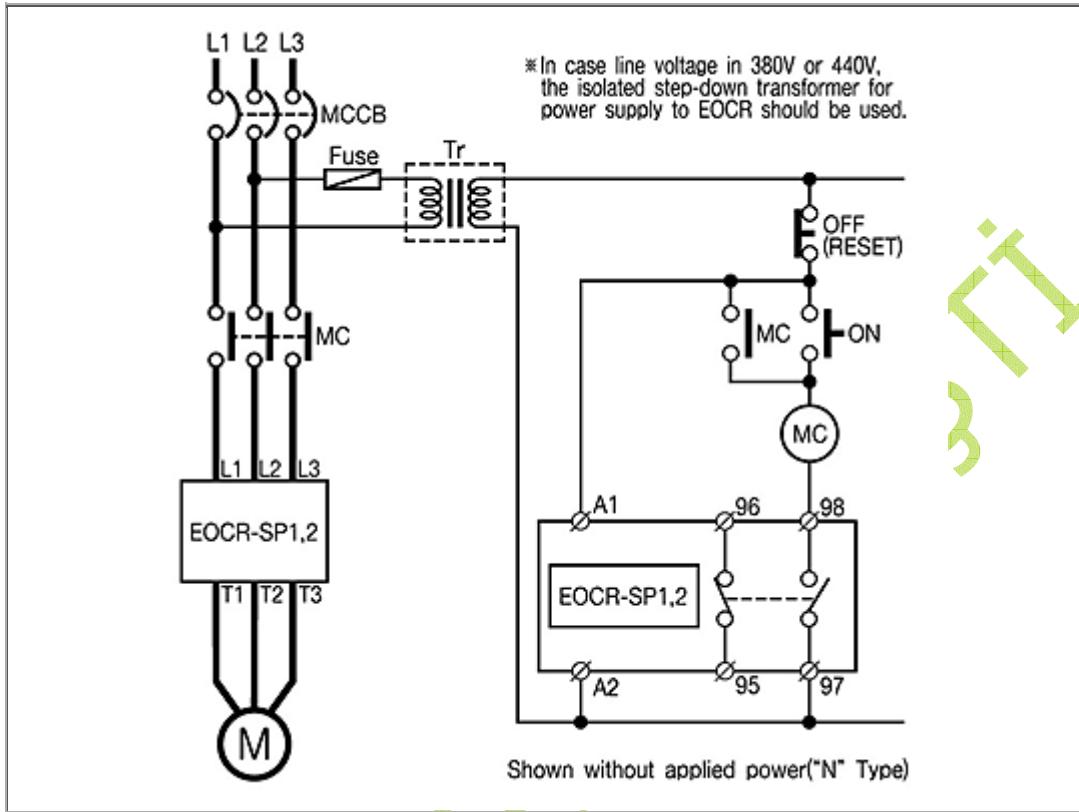
→ Protection

Protective Item	EOCR Operating(Trip) Time	
	SP1	SP2
Over-current	O-TIME(curve)	5sec
Phase Loss	4sec	4sec
Locked Rotor	O-TIME+10sec	D-TIME

→ Specification

Current Setting	Type		SP1	SP2
		01		0.3 ~ 2A
	10		1 ~ 12A	1 ~ 12A
	20		5.0 ~ 25A	5.0 ~ 25A
Time Setting	Start	D-TIME	10 sec(Fixed)	1 ~ 5sec
	Trip	O-TIME	1 ~ 10	5 sec(Fixed)
Control Voltage	110	85 ~ 150VAC		
	220	180 ~ 260VAC		
Output Relay	Mode	2-SPST		
	Rating	3A / 250VAC Resistive		
	Status	Normally Energized		
Time-Current Characteristic		Inverse	Definite	
Operating(Trip) Indication		2-LED		
Mounting		Contactor Mounted		

Typical Wiring



İMAJ TEKNİK



İmaj Teknik Elektrik Elektronik San. ve Tic. Ltd. Şti.

EMEYEMEZ MAH.TUTSAK SOK. NO: 16/13-14-15
KARAKÖY/İSTANBUL
TURKEY

Telefon : +90 212 235 9535 / 36
Fax : +90 212 235 9537

www.imajteknik.com
www.imajteknik.com.tr