

EOCR-SS1/SS2

EOCR-



SS1

EOCR-



SS2

- MCU(Microprocessor Control Unit) Based
- Compact Design
- Multiple Protection Functions
- Wide Current Adjustment Range(10:1)
- Ammeter Function & Trip Indication
- Easy Troubleshooting & Run Monitor
- Manual Instantaneous/ Electrical Remote Reset
- Test Function
- Ambient Insensitive
- Fail-safe Operation

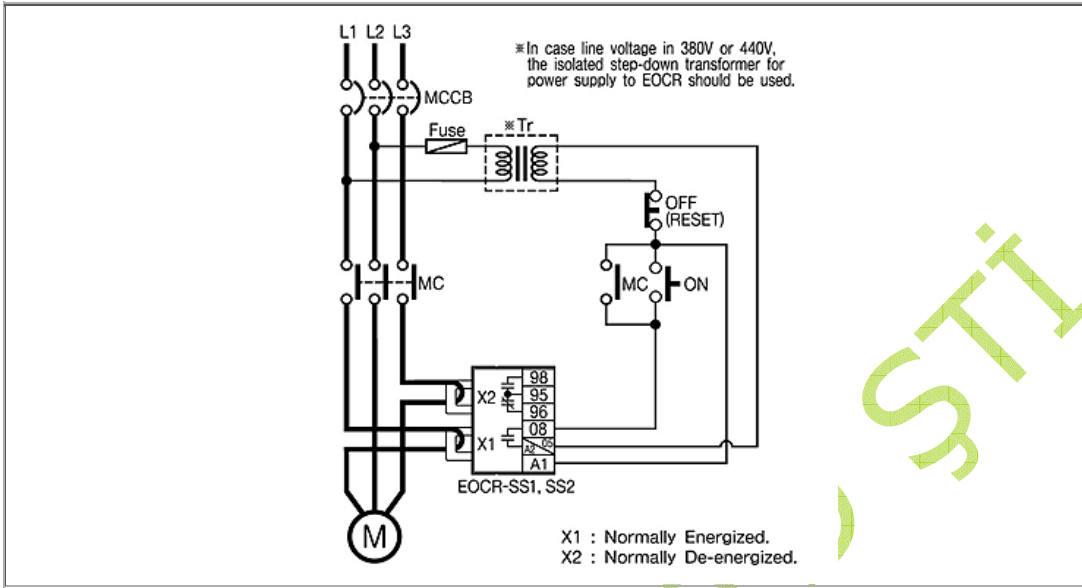
Protection

| Protective Item | Operating(Trip) Time | |
|-----------------|----------------------|--------|
| | SS1 | SS2 |
| Over-current | O-TIME(curve) | O-TIME |
| Phase Loss | 4sec | 4sec |
| Locked Rotor | D-TIME | D-TIME |

Specification

| Current Setting | Type | | SS1 | SS2 |
|-----------------------------|------------|---------------|---------------------------------------|--------------|
| | | 05 | | 0.5 ~ 6A |
| | 30 | | 3.0 ~ 30A | 3.0 ~ 30A |
| | 60 | | - | 5.0 ~ 60A |
| | 30(60)~600 | | With External(CT ratio 100/5A~600/5A) | |
| Time Setting | Start | D-TIME | 0 ~ 50 sec | 1 ~ 50 sec |
| | Trip | O-TIME | 1 ~ 10 sec | 0.2 ~ 10 sec |
| Control Voltage | 110 | | 85 ~ 150VAC | |
| | 220 | | 180 ~ 260VAC | |
| Output Relay | X1 | Mode & Rating | 1-SPST, 3A / 250VAC Resistive | |
| | | Status | Normally Energized | |
| | X2 | Mode & Rating | 1-SPDT, 3A / 250VAC Resistive | |
| | | Status | Normally De-energized | |
| Time-Current Characteristic | | Inverse | Definite | |
| Operating(Trip) Indication | | 2-LED | | |
| Mounting | | 35mm DIN-Rail | | |

Typical Wiring



İmaj Teknik Elektrik Elektronik San. ve Tic. Ltd. Şti.

EMEKYEMEZ MAH.TUTSAK SOK. NO: 16/13-14-15
KARAKOY/İSTANBUL
TURKEY

Telefon : +90 212 235 9535 / 36
Fax : +90 212 235 9537

www.imajteknik.com
www.imajteknik.com.tr