

EOCR_SS



- Compact Design
- Multiple Protection Functions
- Wide Current Adjustment Range(10:1)
- Ammeter Function
- Trip Indication LED
- High Accuracy
- Manual Instantaneous Reset
- Electrical Remote Reset
- Test Function
- Ambient Insensitive
- Low Power Consumption
- Fail-safe Operation(No Volt Release)

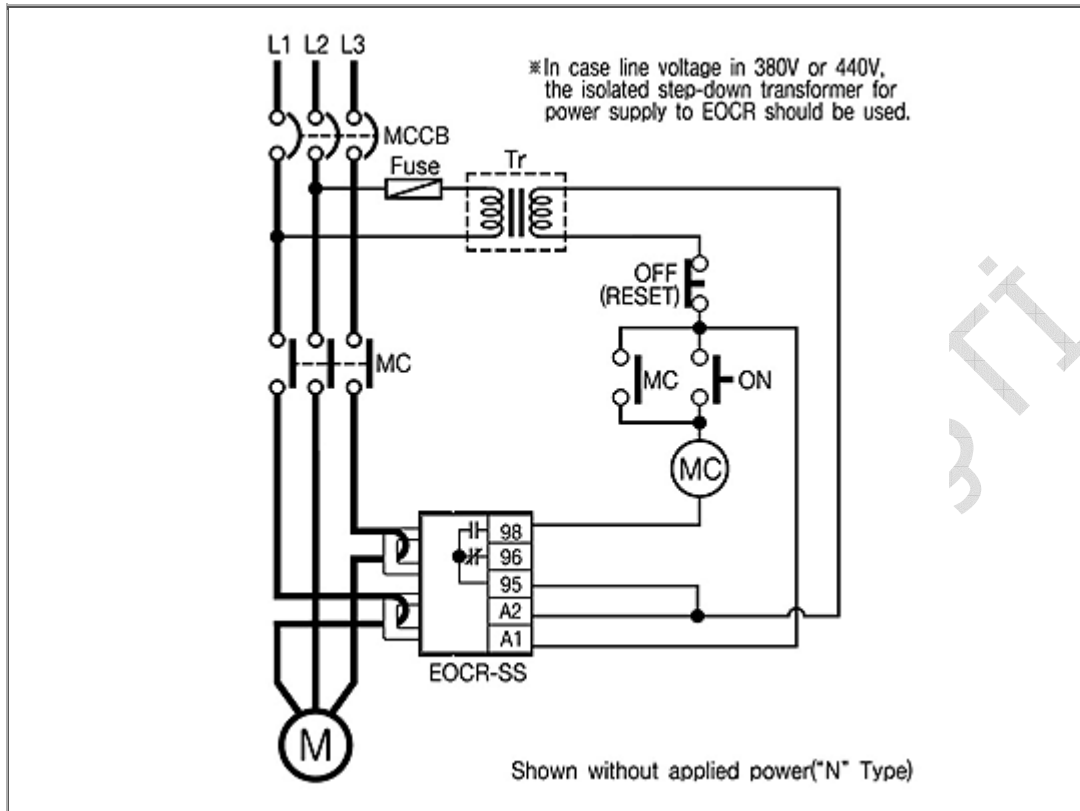
Protection

Protective Item	Operating(Trip) Time
Over-current	O-TIME
Phase Loss	O-TIME
Locked Rotor	O-TIME + D-TIME

Specification

Current Setting	Type		Range
		05	
	30		3.0 ~ 30A
	60		5.0 ~ 60A
	over 60A~		with External CT(Option)
Time Setting	Start	D-TIME	0.2 ~ 30sec
	Trip	O-TIME	0.2 ~ 10sec
Control Voltage	220		90 ~ 260VAC
	440		320 ~ 480VAC
Output Relay	Mode		1-SPDT(1C)
	Rating		3A / 250VAC Resistive
	Status		Normally Energized
Time-Current Characteristic			Definite
Operating(Trip) Indication			2-LED
Mounting			35mm DIN-Rail / Panel

Typical Wiring



İmaj Teknik Elektrik Elektronik San. ve Tic. Ltd. Şti.

EMEKYEMEZ MAH.TUTSAK SOK. NO: 16/13-14-15
KARAKOY/İSTANBUL
TURKEY

Telefon : +90 212 235 9535 / 36
Fax : +90 212 235 9537

www.imajteknik.com
www.imajteknik.com.tr

İMAJ