



İMAJ TEKNİK
ELEKTRİK ELEKTRONİK MALZ. SAN. VE TİC. LTD. ŞTİ

EUCR-3C



- Compact Design
- Three Integral Current Transformers
- Under-load Protection/Dry-run Protector
- Wide Current Adjustment Range
- Definite Trip Time Characteristic
- Manual(instantaneous)/Electrical(Remote)Reset
- Ambient Insensitive
- Fail-safe Operation

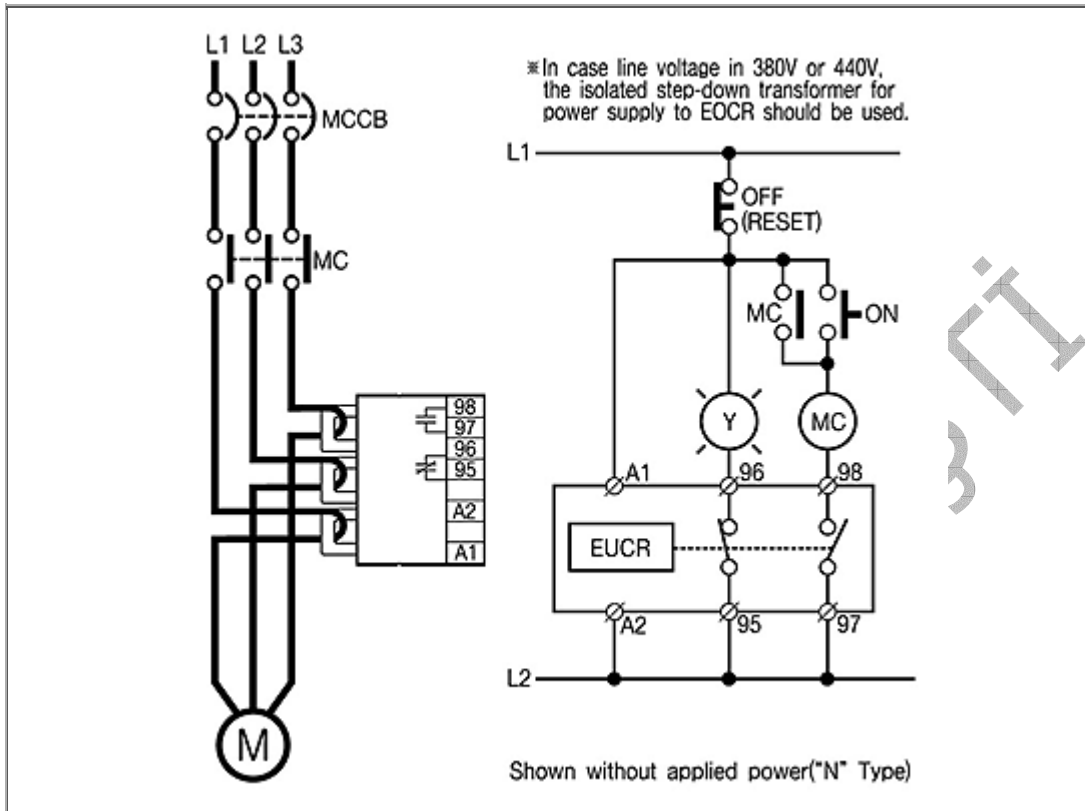
Protection

Protective Item	Trip Time
Undercurrent(Dry-run)	O-TIME

Specification

Current Setting	Type	Range	
	05	0.5 ~ 6A	
	30	3.0 ~ 30A	
	60	5.0 ~ 60A	
	100 ~ 600	0.5 Type fitted to Ext. CT (Current Ratio:100/5A-600/5A)	
Power Supply	Voltage	24	24VAC/DC
		110	110V AC
		220	220V AC
	Frequency	50/60Hz	
Output Relay	Mode	2-SPST(1a1b)	
	Rating	3A / 250VAC Resistive	
	Status	Normally Energized	
Trip Time Setting	O-TIME	02~30sec	
Reset		Manual(Instantaneous)/Electrical(Remote)	
Time-Current Characteristic		Definite	

Typical Wiring



İMA TTEKNIK



İmaj Teknik Elektrik Elektronik San. ve Tic. Ltd. Şti.

EMEYEMEZ MAH.TUTSAK SOK. NO: 16/13-14-15
KARAKOY/İSTANBUL
TURKEY

Telefon : +90 212 235 9535 / 36
Fax : +90 212 235 9537

www.imajteknik.com
www.imajteknik.com.tr