

İMAJ TEKNİK
ELEKTRİK ELEKTRONİK MALZ. SAN. VE TİC. LTD. ŞTİ

EVR-FD



- MCU&ASIC Based Compact Design
- Multiple Protection Functions
- Wide Voltage Adjustment Range
- Digital Volt Meter and Digital Setting
- Trip Cause Display & Troubleshooting
- Manual/Electrical/Automatic Reset
- Adjustable Reset Timer
- Ambient Insensitive
- Flush Mounting type

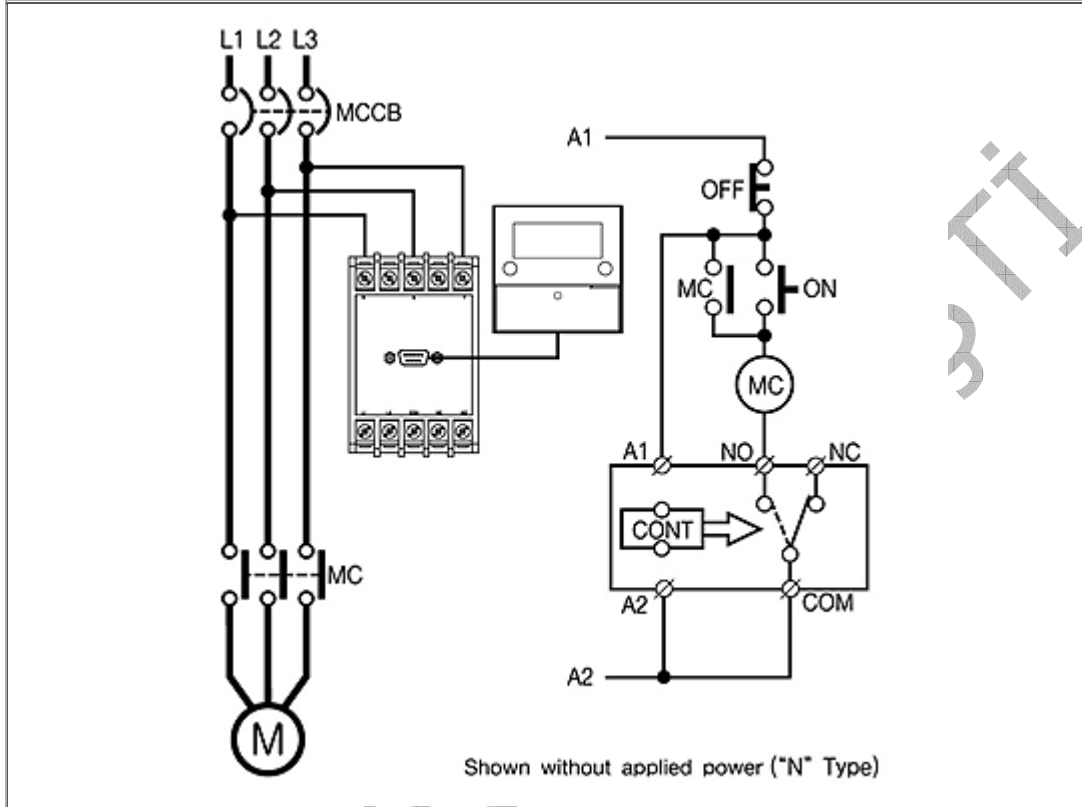
→ Protection

Protective Item	Trip Time
Over-voltage	0.5~10sec
Under-voltage	0.5~10sec
Phase Loss	2sec
Phase Reversal	0.1sec
Phase Unbalance	3sec(If over 5%)

→ Specification

Voltage Setting Range	Type	Over-voltage(O-VOLT)	Under-voltage(U-VOLT)
	110	110-150V	80-120V
220	220-300V	160-240V	
440	380-500V	300-440V	
Trip Time Setting Range	O-TIME	0.5 ~ 10sec	
	U-TIME	0.5 ~ 10sec	
Control Voltage	220	85~250V AC/DC	
	Others	24,48VAC/DC(Optional Order)	
Output Relay	Mode	1-SPDT(1C)	
	Rating	3A/250VAC Resistive	
	Status	Normally Energized	
Reset	SW3=AUTO	Reset Time:1 or 5sec(DIP-SW4)	
	SW3=MAN	RESET Button	
Mounting	FD	DCU	Flush

➔ Typical Wiring



İMAJTEK



İmaj Teknik Elektrik Elektronik San. ve Tic. Ltd. Şti.

EMEYEMEZ MAH.TUTSAK SOK. NO: 16/13-14-15
KARAKOY/İSTANBUL
TURKEY

Telefon : +90 212 235 9535 / 36
Fax : +90 212 235 9537

www.imajteknik.com
www.imajteknik.com.tr