



İMAJ TEKNİK
ELEKTRİK ELEKTRONİK MALZ. SAN. VE TİC. LTD. ŞTİ

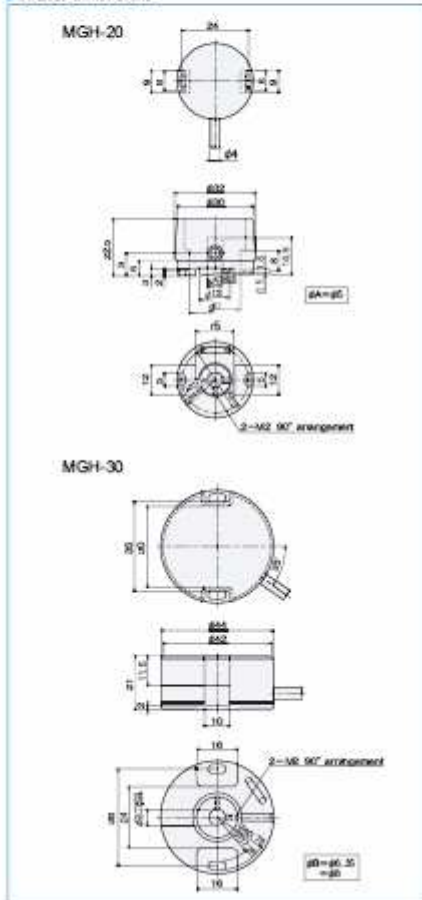


MGH series

[Square Wave/Incremental]



Outside dimensions



Specifications

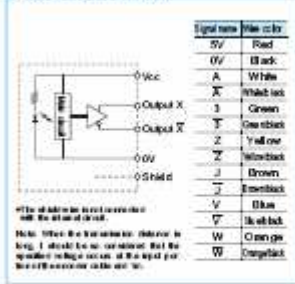
Type name	MGH-20 [] - E	MGH-30 [] - E
Item	Pulse center Clock signal Pulse width = 4 at 5V = 1000ns	Pulse center Clock signal Pulse width = 4 at 5V = 1000ns
Supply voltage	DC + 5V ± 10%	
Current consumption	60mA or less (under no load)	
Detection system	Incremental	
Output pulse number (Standard)	100 450 1000 200 500 +1000	100 450 1024 200 500 +1024
(Pulse number/rotation)	250 +500 +102.4 250 512 1200	250 500 1200 300 600 1500
Output phase	A, B, Z, 2 phase with signal U, V, W, 0V line	
Output form	Square wave - Line driver output	
Output capacity	V _{OH} = 0.5Vmax V _{OL} = 2.5Vmin I _m = 2.0mA	
Maximum square wave no. (square pulse number)	1000Hz	
Output phase difference	A, B phase difference 90° ± 45° (T ₁₄ ± 10) Z phase T _{1/2} With Clock signal (U, V, W) 4 poles, 127 phase difference 3 signals	
Waveform skew fall time	2µs or less	
Maximum allowable eccentricity (mechanical)	600µm	
Working ambient temperature humidity	-10°C ~ 80°C RH 35% ~ 95% no dewing	
Storing ambient temperature	-20°C ~ 80°C	
Vibration resistance	Durability 50Hz, double amplitude 1.5mm 2 hours each in X, Y, and Z directions	
Impact resistance	Durability 500 m/s ² (about 50G) 3 times each in X, Y, and Z directions	
Cable	Outer diameter: 4.0 (±0.1) mm (5-core shielded twisted pair cable length 1m (length 0.2m))	
Mass	80g	100g

Allowable change amount of fitting shaft

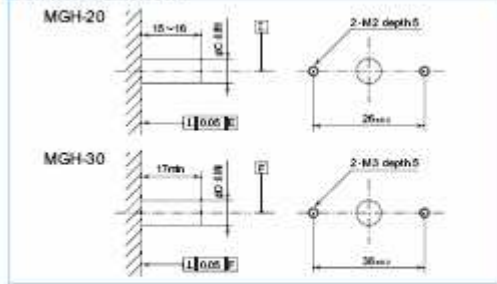
MGH-20	Pulse number	100~200	250~600	900~1200
MGH-30	Pulse number	100~300	400~1024	1200~2000
Allowable eccentricity	Radial	±0.05mm	±0.02mm	±0.02mm
	Thrust	±0.2mm	±0.1mm	±0.05mm

İMAJ

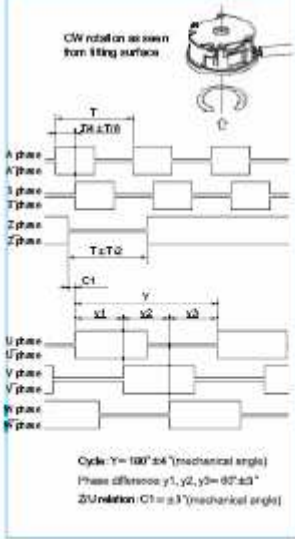
Output circuit diagram



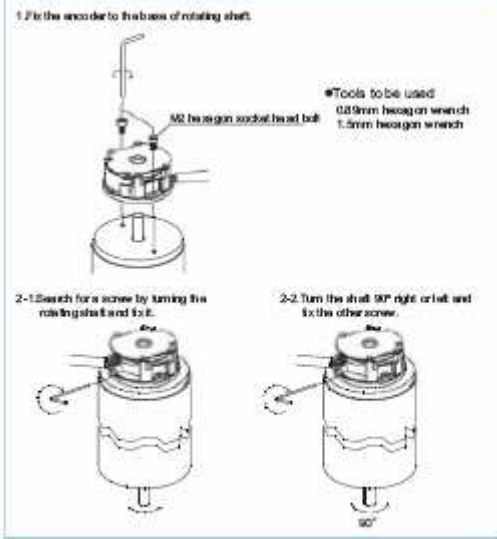
Fitting shaft dimensions



Output waveforms



Assembling image of MGH series



İmaj Teknik Elektrik Elektronik San. ve Tic. Ltd. Şti.

EMEKYEMEZ MAH.TUTSAK SOK. NO: 16/13-14-15
KARAKOY/İSTANBUL
TURKEY

Telefon : +90 212 235 9535 / 36
Fax : +90 212 235 9537

www.imajteknik.com
www.imajteknik.com.tr