

DB15	
Pin 1-9	OUT B+
Pin 2-10	OUT B-
Pin 3-11	OUT A+
Pin 4-12	OUT A-
Pin 5-13	Limit Switch 0
Pin 6-14	Limit Switch 1

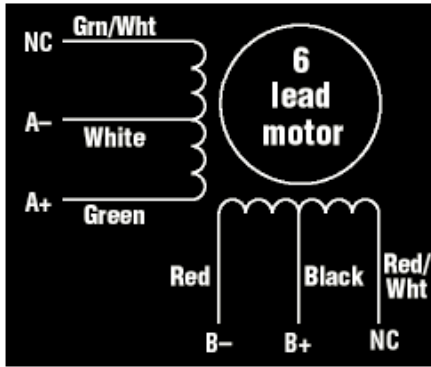
Stop Current Setting Optional
 Run Current Setting
 Microstepping setting
 Limit Switch Outputs
 Fault Output <--<
 Enable Controller <--<
 Direction <--<
 Step Input <--<
 Motor Output2 For high current
 17-24DC

DIP Switch	1	2	3
Full Steps	On	Off	Off
Half	Off	On	Off
4	On	On	Off
8	Off	Off	On
16	On	Off	On
32	Off	On	On

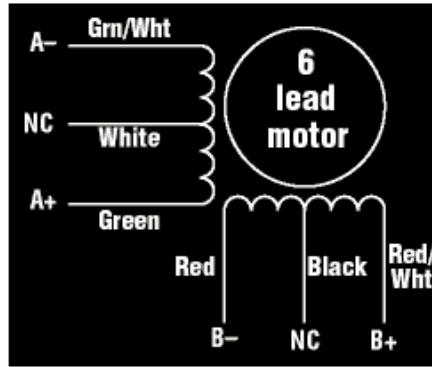
Dip Positions for Microstepping Settings

Motor Wiring for Other Stepper Motors

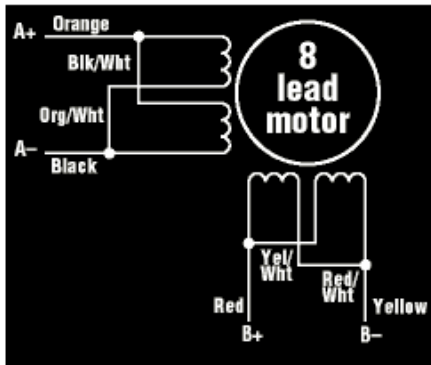
6 Lead Motor – ½ Coil Bipolar



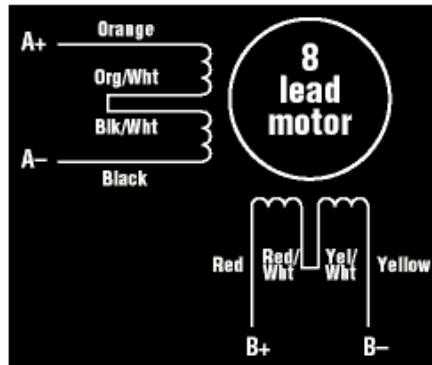
6 Lead Motor – Series Bipolar



8 Lead Motor – Parallel Bipolar



8 Lead Motor – Series Bipolar



EmekyemEZ mah, Yuksekminare sok No:8/17
80020 Karaköy_Istanbul/TURKIYE
Tel:(212)2359535/36 Fax(212)2359537
www.imajteknik.com

İMAJTEK