



İMAJ TEKNİK
ELEKTRİK ELEKTRONİK MALZ. SAN. VE TİC. LTD. ŞTİ



PMO

PMO JOYSTICK



PMO joysticks are control devices for all industrial machinery. They operate as auxiliary controllers of electrical motors through a power interface, such as a contactor. Designed for heavy duty use by qualified operators, PMO is aimed specifically for the industrial market. Size and shape, resulting from a thorough analysis of the ergonomic features of the product, combined with the research of a graphic style suitable for a modern industrial environment, make PMO easy to operate.

The equipment has been designed to facilitate maintenance, thus saving on time and costs.

The PMO joysticks are available with up to 5 speed in each direction, with cross or 360° movement.



TECHNICAL SPECIFICATIONS

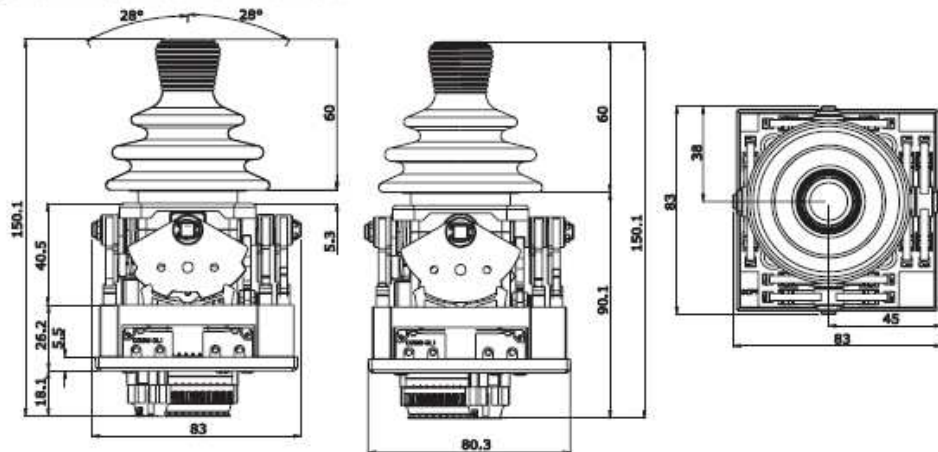
Conformity to Community Directives	98/37/CEE
Conformity to Standards	EN 60204-1 EN 60947-1 EN60947-5-1
Ambient temperature	Storage -40°C/+70°C
	Operational -25°C/+70°C
Protection degree	IP 00 (IP 65 max. when assembled in specific enclosure)
Operating positions	Any position
Weight	250 g
Markings	CE

TECHNICAL SPECIFICATIONS OF THE SWITCHES

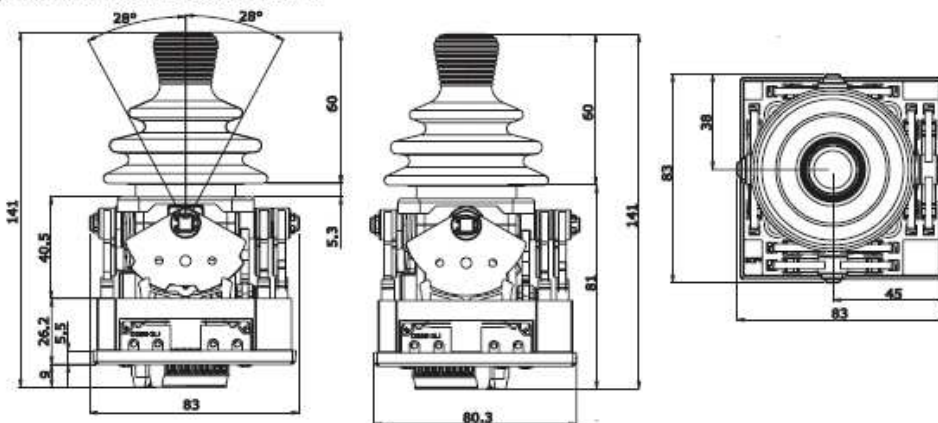
Utilisation category	AC 15
Rated operational current	2 A
Rated operational voltage	48 V
Rated thermal current	8 A
Rated insulation voltage	60 V
Mechanical life	0,5x10 ⁶ operations
Connections	Terminal board
Markings	CE

OVERALL DIMENSIONS

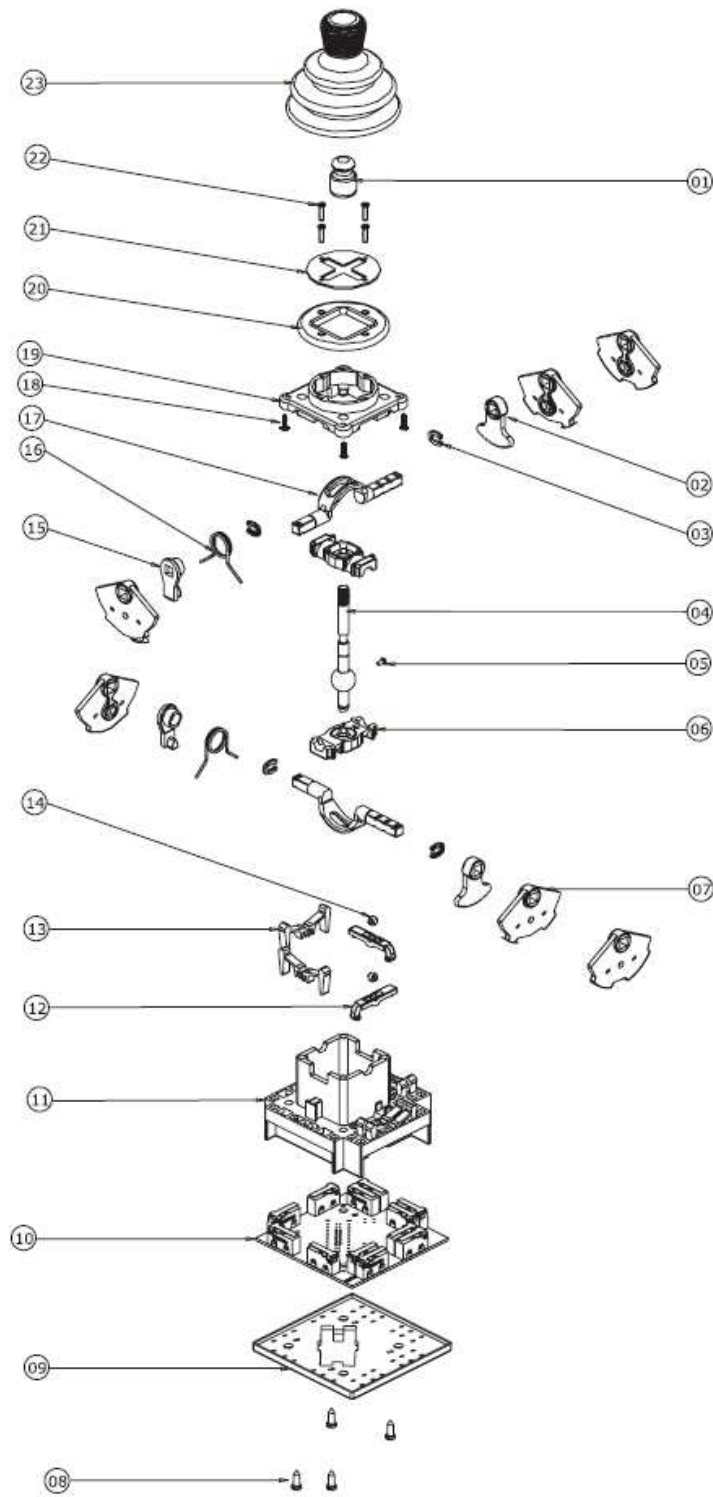
Joystick with pull-out terminal board



Joystick with fixed terminal board



DETAILED DRAWING



PMO JOYSTICK



COMPONENTS

REFERENCE	CODE	DESCRIPTION
01	PRTO6107PE	Knob
02	PRTO8005PE	5 position sector
03	PRSL8501PI	Elastic ring
04	PRSL7855PI	Rod with sphere
05	PRTO6115PE	Pin
06	PRSL9335PI	Sphere support
07	PRSL7300PI	Cam 1st step
	PRSL7301PI	Cam 2nd-3rd steps
	PRSL7302PI	Cam 4th-5th steps
08	PRVI0036PE	Screw 3.5x10
09	PRSL8630PI	Protection plate
10	93546	12 switch board with pull-out terminal board - 5 positions
	93547	12 switch board with fixed terminal board - 5 positions
	93557	8 switch board with pull-out terminal board - 3 positions
	93558	8 switch board with fixed terminal board - 3 positions
11	PRSL5766PI	Lower part
12	PRSL7562PI	Lever for notch
13	PRSL7590PI	Switch operating lever
14	PRTO6116PE	Roller
15	PRSL7565PI	Spring return lever
16	PRMO1082PE	Spring return spring
17	PRFU5010PE	Lever
18	PRVI0097PE	Screw 3.9x16
19	PRSL5767PI	Upper part
20	PRSL9824PI	Lever guide 3-0
	PRSL9825PI	Lever guide 5-4
	PRSL9826PI	Lever guide 3-3
	PRSL9828PI	Lever guide 5-2
	PRSL9830PI	Lever guide 5-5
	PRSL9834PI	Lever guide 5-0
	PRSL9835PI	Lever guide 4-0
	PRSL9838PI	Lever guide 1-3
	PRSL9839PI	Lever guide 1-5
	PRSL9841PI	Lever guide 3-2
	PRSL9842PI	Lever guide 3-5
	PRSL9843PI	Lever guide 2-4
	PRSL9844PI	Lever guide 4-1
	PRSL9845PI	Lever guide 3-4
	PRSL9849PI	Lever guide 4-4
	PRSL9871PI	Lever guide 1-1
	PRSL9872PI	Lever guide 1-0
	PRSL9873PI	Lever guide 1-2
	PRSL9876PI	Lever guide 2-2
	PRSL9880PI	Lever guide 2-0
21	PRTR0160PE	Plate for cross movement
22	PRVI0008PE	Screw 2.2x9.5
23	PRGU6042PE	Bellows

adresimiz
değiřti

Emekyemez Mah. Yüksek Minare Sk. No:8 / 17
80020 Karaköy / İstanbul

Tel:212/2359535
Fax:212/2359537