



İMAJ TEKNİK
ELEKTRİK ELEKTRONİK MALZ. SAN. VE TİC. LTD. ŞTİ



İMAJTEKNİK

Magneswitch

SET-P15 SET-P16

High accuracy non-contact magnetic switch

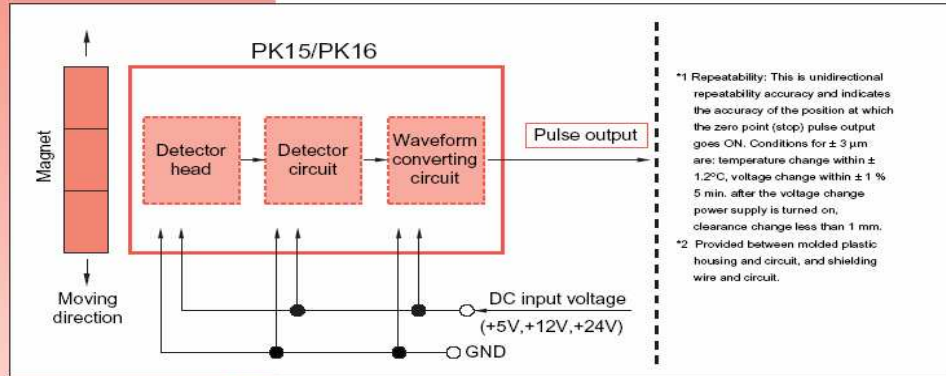
- SET-P15 can be used as a zero point for the DIGIRULER[®] (detector PL23) or as a limit switch.
- SET-P16 can be used as a zero point for the DIGIRULER[®] (Interpolator MJ100/110).
- Excellent resistance to workshop conditions.
- Resistant to oil, dirt, vibrations and shocks.
- High accuracy: $\pm 3 \mu\text{m}$
- Max. response frequency; 10 kHz
- Built-in circuit for direct connection to a control unit (SET-P15).
- Indication lamp (LED) for visual confirmation that the switching action is being made.

Specifications

Model	PK15				PK16
	-1	-2	-3	-1	
Repeatability	$\pm 3 \mu\text{m}$ (under same circumstance)*				
Operating range	$7.5 \pm 2 \text{ mm} / 0.29'' \pm 0.07''$ (at 1 mm clearance)				
Clearance	Max. 3 mm / 0.11"				
Max. response frequency	10 kHz				
Output	Circuit	NPN transistor, open collector			
	Operation	Turns ON in proximity			
	Contact capacity	Max. current 30 mA, max. voltage 30 V			
	Residual voltage	Max. 0.4 V, with 30 mA			
	Protection circuit	Surge killer; protection against reversed polarity			
Indication lamp	LED turns on, when activated				
Power supply	+5 V DC $\pm 10\%$	+12 V DC $\pm 10\%$	+24 V DC $\pm 10\%$	+5 V DC $\pm 10\%$	
Power consumption	Max. 10 mA				
Protective design grade	Equivalent to IP67				
Insulation resistance	10M Ω (250 V DC)**				
Vibration resistance	49 m/s ² , 0 to 500 Hz				
Shock resistance	980 m/s ²				
Operating temperature	-10°C to 60°C / 14°F to 140°F				
Storage temperature	-20°C to 80°C / -4°F to 176°F				
Cable length	1.5 m / 4.9' (extendable up to 30 m / 98.4')				

*The PK16 has a 6-pin mini-DIN connector.

Configuration



Sensors & Switches



İmaj Teknik Elektrik Elektronik San. ve Tic. Ltd. Şti.

EMEKYEMEZ MAH.TUTSAK SOK. NO: 16/13-14-15
KARAKOY/İSTANBUL
TURKEY

Telefon : +90 212 235 9535 / 36
Fax : +90 212 235 9537

www.imajteknik.com
www.imajteknik.com.tr