



TECHNICAL SPECIFICATIONS

| | | | |
|------------------------------------|---------------------------|-------------|-------------|
| Conformity to Community Directives | 2006/95/CE | | |
| Conformity to Standards | EN 60204-1 | EN 60947-1 | EN60947-5-1 |
| | EN 60529 | | |
| Ambient temperature | Storage | -40°C/+70°C | |
| | Operational | -25°C/+70°C | |
| Protection degree | IP 65 | | |
| Insulation category | Class II | | |
| Cable entry | Cable clamp M20 | | |
| Operation frequency | 3600 operations/hour max. | | |
| Markings | CE | | |

TECHNICAL SPECIFICATIONS OF THE SWITCHES

| | |
|---------------------------|---|
| Utilisation category | AC 15 |
| Rated operational current | 3 A |
| Rated operational voltage | 250 V |
| Rated thermal current | 10 A |
| Rated insulation voltage | 500 V~ |
| Mechanical life | 1x10 ⁶ operations |
| Terminal referencing | According to EN 50013 |
| Connections | Screw-type terminals |
| Wires | 1x2.5 mm ² , 2x1.5 mm ² (UL - (c)UL: use 60 or 75 °C copper (CU) conductor and wire size No. 16-18 AWG) |
| Tightening torque | 0.8 Nm |
| Markings | CE - UL - (c)UL |

X-FRZ LIMIT SWITCH CODES

| CODE | ROD | POSITIONS | ACTUATING TRAVEL |
|------------|----------------|---------------|-------------------------------|
| PF33700100 | Rod | Spring return | 1-2 65° 24° 0° 65° 3-4 |
| PF33700200 | Rod and roller | Spring return | 1-2 0° 24° 65° 3-4 |
| PF33701100 | Rod | Spring return | 1-2 65° 24° 0° 65° 3-4 |
| PF33701200 | Rod and roller | Spring return | 1-2 3-4 |
| PF33702100 | Rod | Spring return | 1-2 0° 24° 65° 3-4 |
| PF33702200 | Rod and roller | Spring return | 1-2 3-4 |
| PF33703100 | Rod | Spring return | 1-2 65° 24° 0° 24° 65° 3-4 |
| PF33703200 | Rod and roller | Spring return | 1-2 3-4 |
| PF33704100 | Rod | Spring return | 1-2 65° 24° 0° 24° 65° 3-4 |
| PF33704200 | Rod and roller | Spring return | 1-2 3-4 |
| PF33705100 | Rod | Spring return | 1-2 65° 24° 0° 24° 65° 3-4 |
| PF33705200 | Rod and roller | Spring return | 1-2 3-4 |

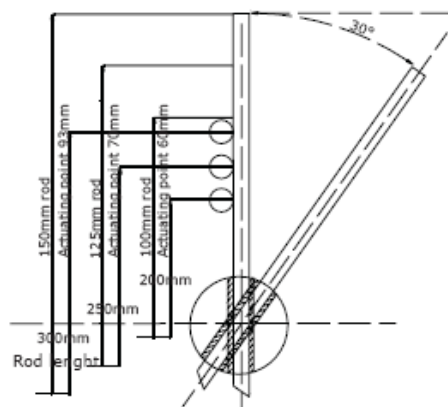
The limit switches are equipped with 1NO+1NC switches PRSL0036XX.

X-FSC LIMIT SWITCH CODES

| CODE | ROD | POSITIONS | ACTUATING TRAVEL |
|------------|--------|--------------|--|
| PF33710100 | T-type | 3 maintained | 70° 0° 90° |
| PF33710200 | Cross | 3 maintained | 90° 70° |
| PF33711100 | T-type | 3 maintained | 70° 0° |
| PF33711200 | Cross | 3 maintained | 90° 90° |
| PF33712100 | T-type | 3 maintained | 0° 70° |
| PF33712200 | Cross | 3 maintained | 90° 90° |
| PF33713100 | T-type | 3 maintained | 49° 0° 49° |
| PF33713200 | Cross | 3 maintained | 90° 90° |
| PF33714100 | T-type | 3 maintained | 49° 0° 49° |
| PF33714200 | Cross | 3 maintained | 90° 90° |
| PF33715100 | T-type | 3 maintained | 49° 0° 49° |
| PF33715200 | Cross | 3 maintained | 90° 90° |
| PF33750100 | Cross | 4 maintained | 0° 49° 139° 229° 319° 0° 49° 139° 229° 360° |
| PF33751100 | Cross | 4 maintained | 0° 49° 319° 0° 139° 229° 360° |
| PF33752100 | Cross | 4 maintained | 0° 139° 319° 0° 49° 229° 360° |

The limit switches are equipped with 1NO+1NC switches PRSL0036XX.

MAXIMUM ACTUATING DIMENSIONS



T-type rod - Cross rod with 3 maintained positions

Pre-travel angle for rotation contact operation 70°-49°
 Maximum rotation angle for each maintained position 90°
 Average angle for the mechanical tripping 48°

Rod - Rod and Roller

Pre-travel angle for rotation contact operation 24°
 Maximum rotation angle 65°

Cross rod with 4 maintained positions

Pre-travel angle for rotation contact operation 49°
 Maximum rotation angle for each maintained position 90°
 Average angle for the mechanical tripping 48°
 Maintained positions each 90°

In order to ensure proper operations, the dimensions shall not be increased; anyhow, they can be decreased, taking into account that the closer the impact point is to the center of the head, the higher the impact and the mechanical wear of rod and shaft are.

IMPORTANT: the maximum impact speed is 1.35 m/s, referring to the ideal impact points showed in the drawing.

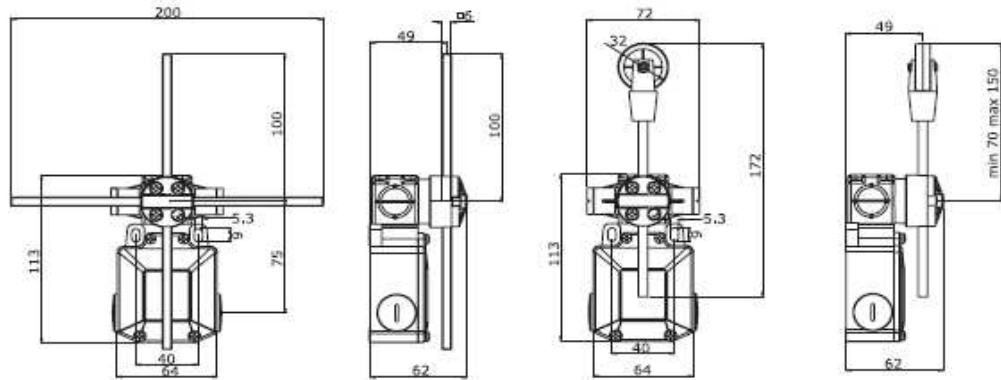
X-FSC X-FRZ POSITION LIMIT SWITCHES



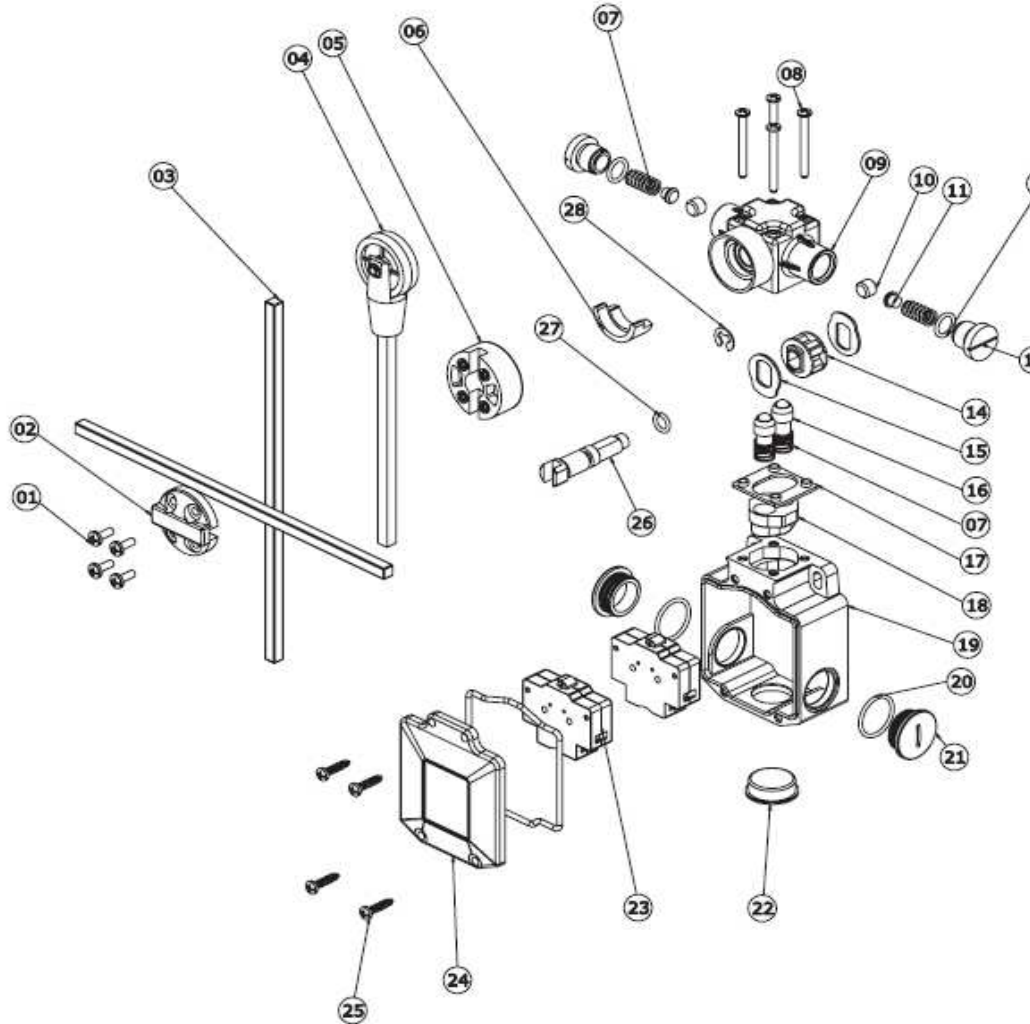
X-FSC X-FRZ POSITION LIMIT SWITCHES



OVERALL DIMENSIONS



DETAILED DRAWING



TER TECNO ELETTRICA RAVASI S.R.L. - VIA GARIBOLDI 29/31 - 23885 CALCO (LC) - ITALY
 TEL. +39 039 9911011 - FAX +39 039 9910445 - E-MAIL: info@terinternational.net - www.terinternational.net
 REGISTERED OFFICE - GOODS RECEPTION: VIA SAN VIGILIO 2 - 23887 OLGIATE MOLGORA (LC) - ITALY

adresimiz degişt
 Emekyemez Mah. Yüksek Minare Sk. No:8 / 17
 80020 Karaköy / İstanbul
 Tel:212/2359535
 Fax:212/2359537